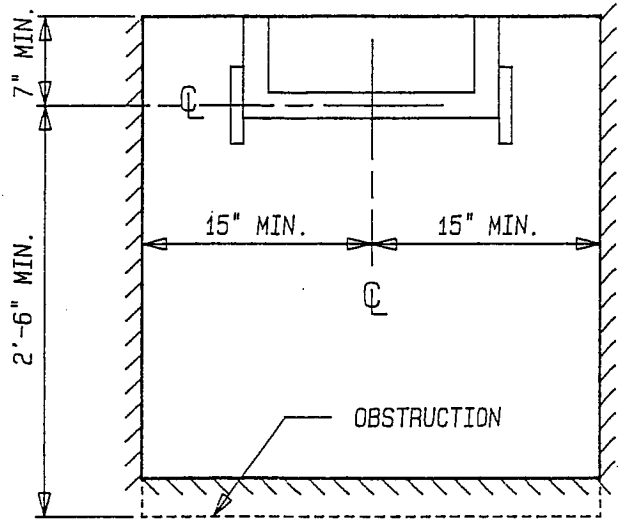
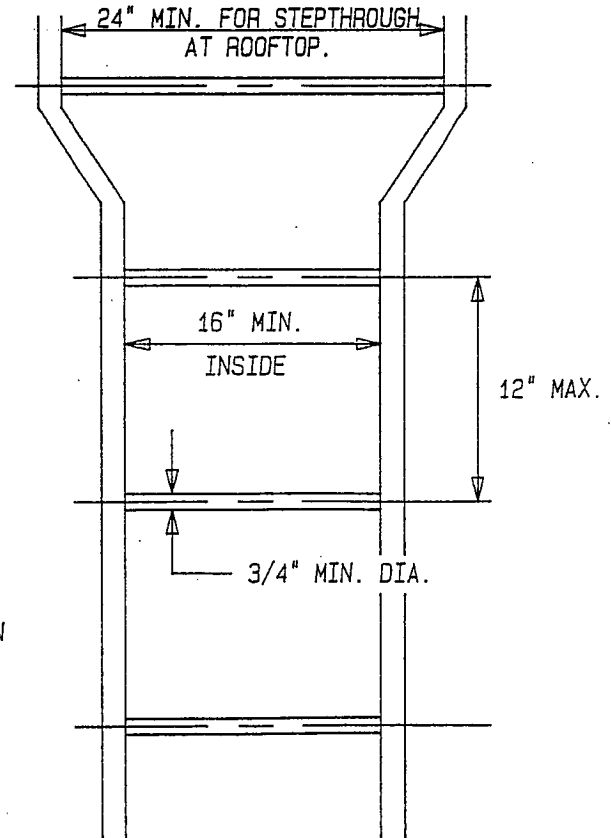


PARTIAL SIDE VIEW



FIXED LADDER IN WELL
TOP VIEW

2'-6" MIN. CLEARANCE



PARTIAL FRONT VIEW

○ FIXED LADDER DETAIL