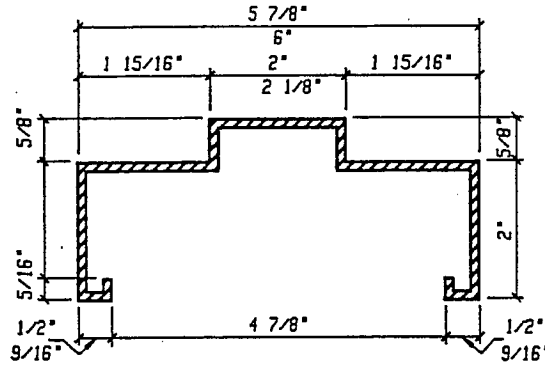
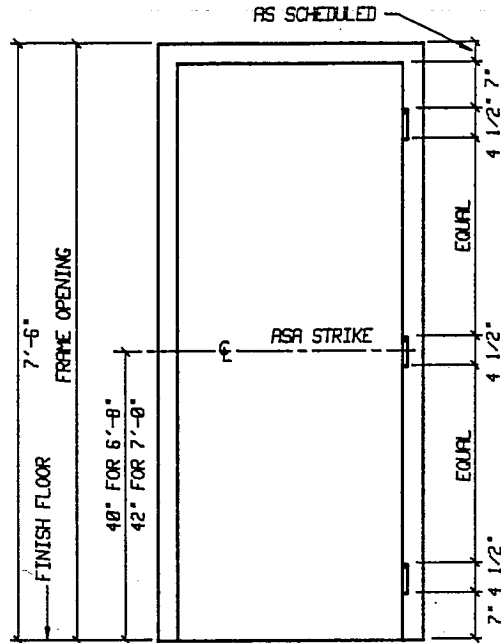


**STD. MASONRY FRAME FOR 1 3/4" DOOR**  
N.T.S



**STD. DRYWALL FRAME FOR 1 3/4" DOOR**  
N.T.S

NOTE: WHEN DOUBLE DIMENSIONS ARE GIVEN, TOP DIMENSION IS FOR "A" FRAME AND BOTTOM IS FOR "B" FRAME.



**FRAME ELEVATION: 3 HINGE PINS**  
N.T.S

METAL DOOR JAMBS FOR 1 3/4" DOORS

DOOR SIZE	HAND	HEAD DEPTH	SIDE WIDTH	CONST.	CSU STOCK #	COMMENTS
2870	RH	4"	5 3/4"	Masonry A	21469110	1, 2
3070	RH	4"	5 3/4"	" A	21469130	1, 2
3070	LH	4"	5 3/4"	" A	21469121	1, 2
3070	RH	4"	7"	" B	21469151	1, 2
3070	LH	4"	7"	" B	21467141	1, 2
3070	RH	2"	5 7/8"	Drywall A	21469170	1, 3, 4
3070	LH	2"	5 7/8"	" A	21469161	1, 3, 4
3070	RH	2"	6"	" B	21469185	1, 3, 5
3070	LH	2"	6"	" B	21469180	1, 3, 5
3070	RH	4"	5 7/8"	" A	21469195	1, 3, 4
3070	LH	4"	5 7/8"	" A	21469190	1, 3, 4

Comments

1. 16 ga. metal, 20 min. fire rating, prep for universal strike, w/3 each 4 1/2 x 4 1/2" template hinges, reinforced for closer, primed with one shop coat.
2. Welded and ground smooth, w/6 UL masonry anchors.
3. Throat opening 4 7/8" to accept 3 5/8" metal studs and 5/8" sheetrock, w/metal stud anchors, double back bend or wrap around bend.
4. Welded and ground smooth.
5. Knockdown. This jamb is not fire rated.