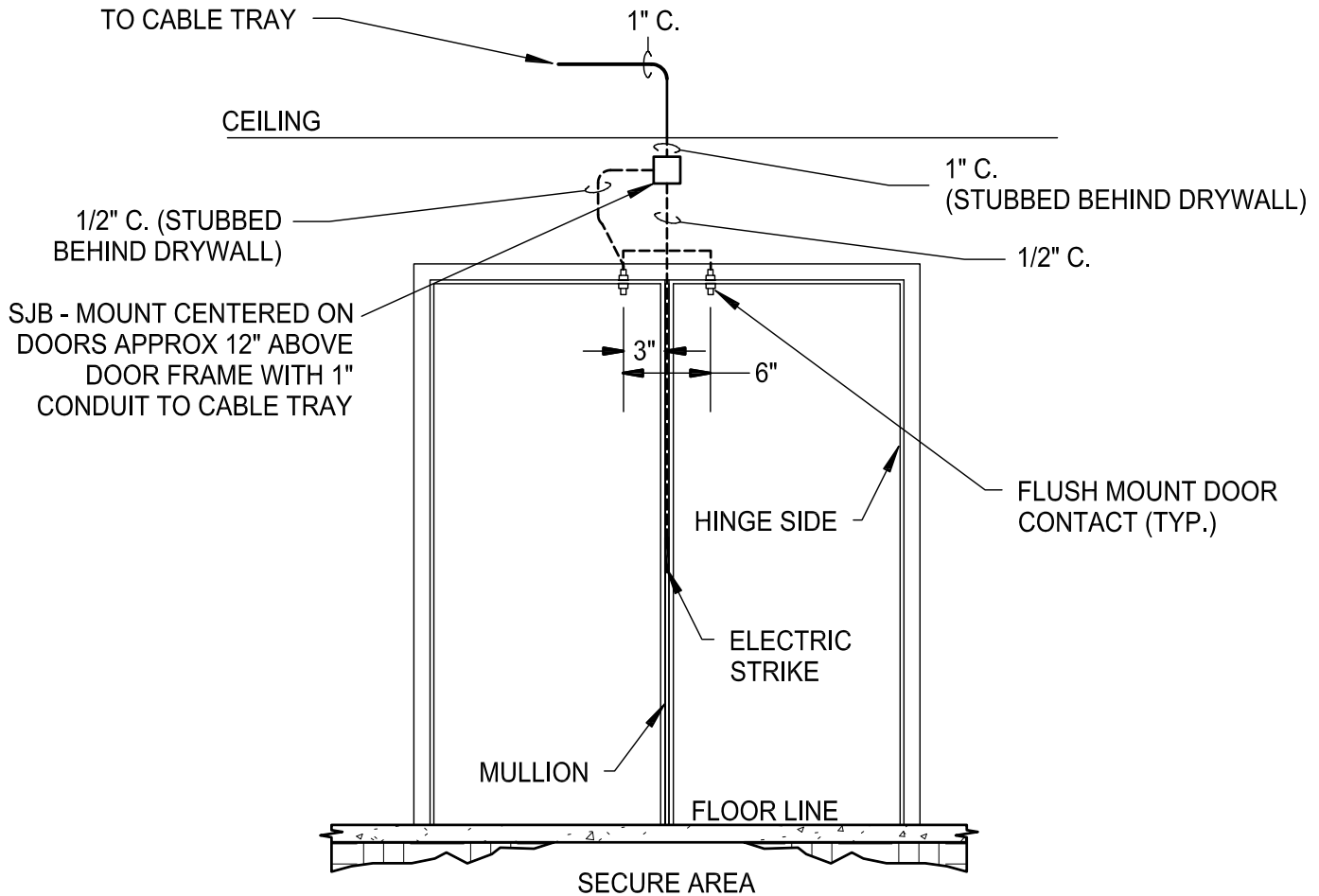


NOTES:

1. SECURITY JUNCTION BOX (SJB) SHALL BE 4X4 WITH SINGLE GANG MUD RING MOUNTED HORIZONTAL.
2. ALL INFRASTRUCTURE (ENCLOSURES, CONDUIT, ETC.) TO BE PROVIDED BY CONTRACTOR.
3. DOOR HEADER CONDUIT SHALL BE STUBBED TO JUST ENTER HEADER FRAME 3" TO 4" FROM OPENING SIDE OF DOOR.

DOUBLE DOOR

NO SCALE

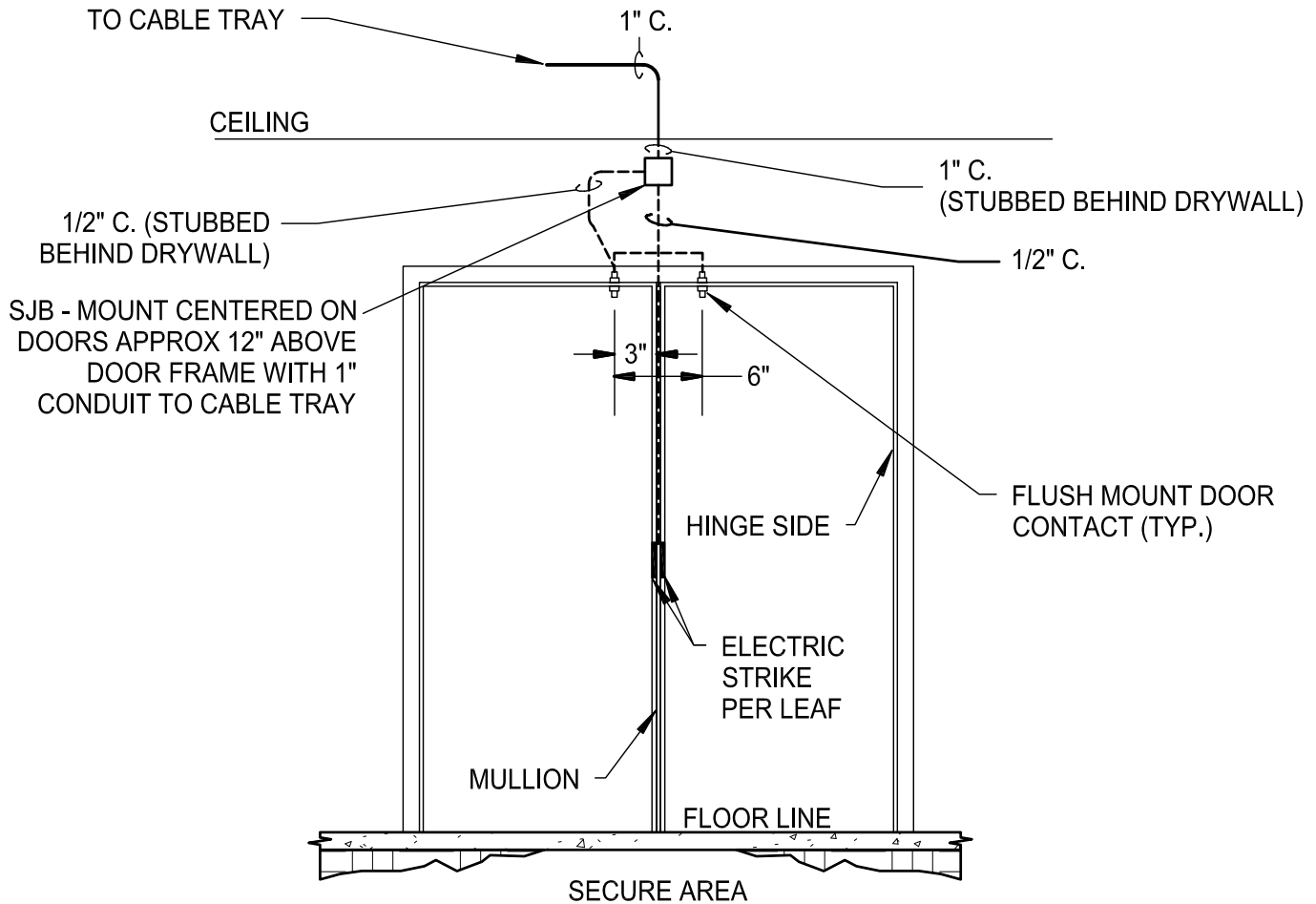


NOTES:

1. SECURITY JUNCTION BOX (SJB) SHALL BE 4X4 WITH SINGLE GANG MUD RING MOUNTED HORIZONTAL.
2. ALL INFRASTRUCTURE (ENCLOSURES, CONDUIT, ETC.) TO BE PROVIDED BY CONTRACTOR.
3. DOOR HEADER CONDUIT SHALL BE STUBBED TO JUST ENTER HEADER FRAME 3" TO 4" FROM OPENING SIDE OF DOOR.

DOUBLE DOOR

NO SCALE

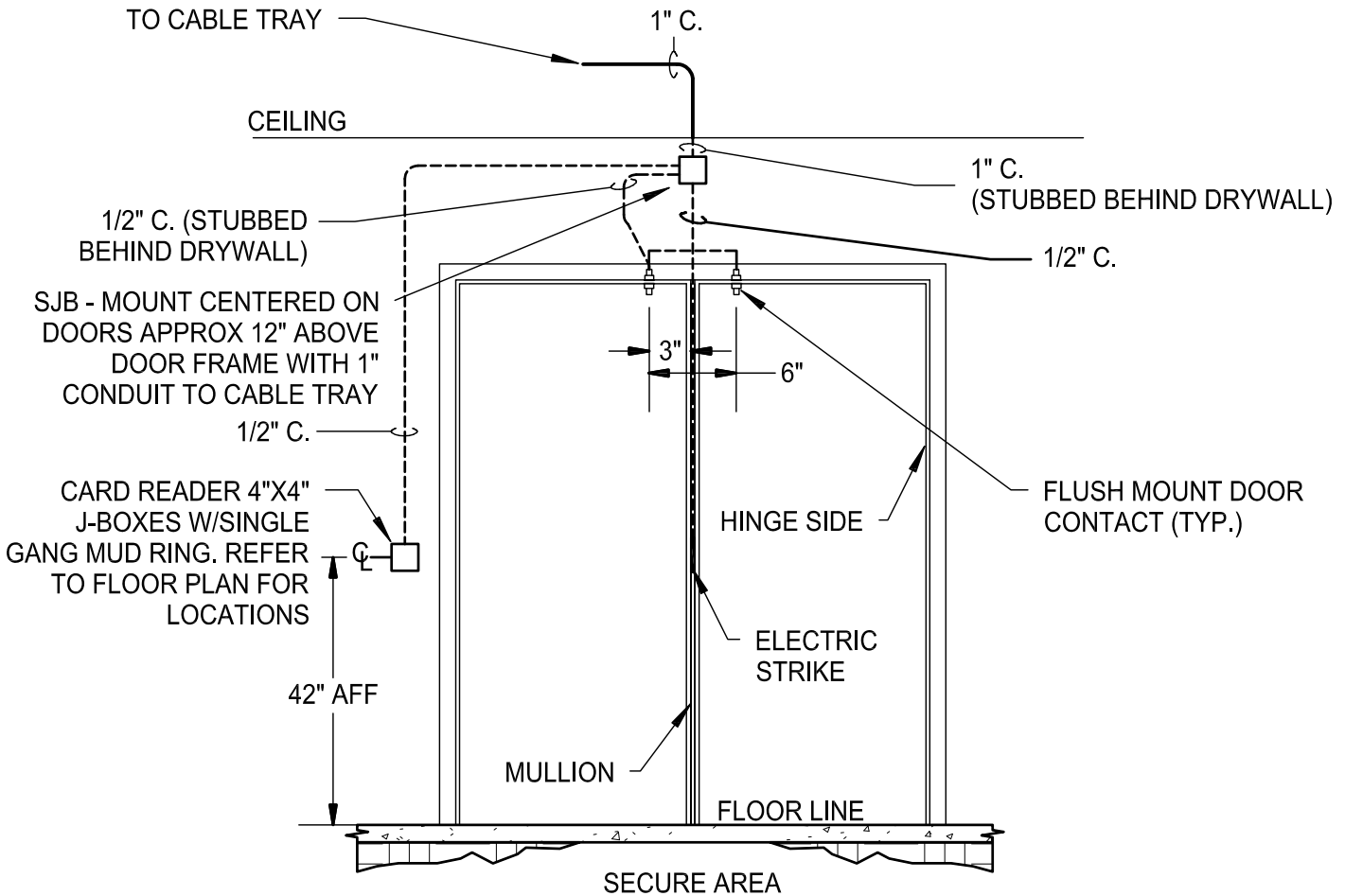


NOTES:

1. SECURITY JUNCTION BOX (SJB) SHALL BE 4X4 WITH SINGLE GANG MUD RING MOUNTED HORIZONTAL.
2. ALL INFRASTRUCTURE (ENCLOSURES, CONDUIT, ETC.) TO BE PROVIDED BY CONTRACTOR.
3. DOOR HEADER CONDUIT SHALL BE STUBBED TO JUST ENTER HEADER FRAME 3" TO 4" FROM OPENING SIDE OF DOOR.

DOUBLE DOOR

NO SCALE

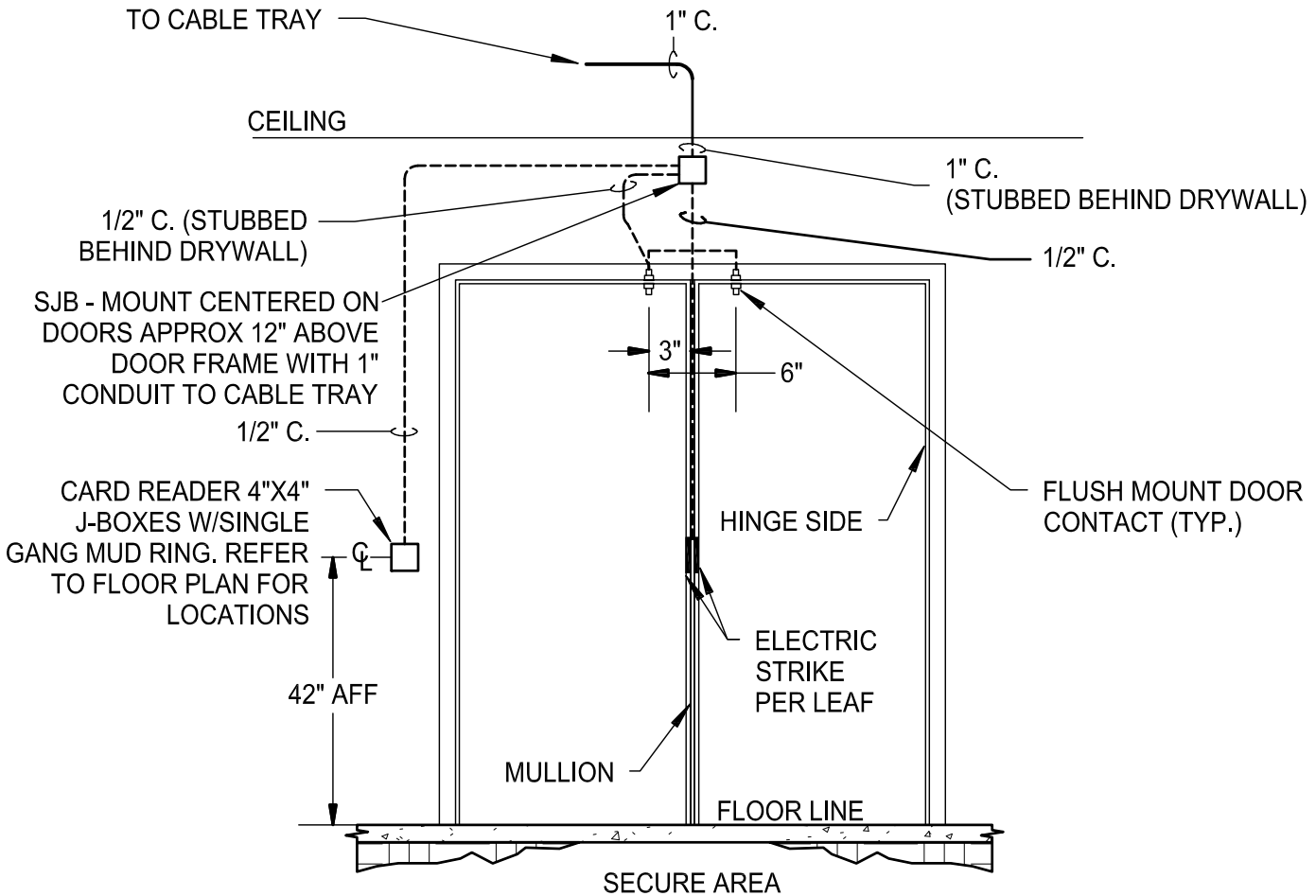


NOTES:

1. SECURITY JUNCTION BOX (SJB) SHALL BE 4X4 WITH SINGLE GANG MUD RING MOUNTED HORIZONTAL.
2. ALL INFRASTRUCTURE (ENCLOSURES, CONDUIT, ETC.) TO BE PROVIDED BY CONTRACTOR.
3. DOOR HEADER CONDUIT SHALL BE STUBBED TO JUST ENTER HEADER FRAME 3" TO 4" FROM OPENING SIDE OF DOOR.

DOUBLE DOOR

NO SCALE

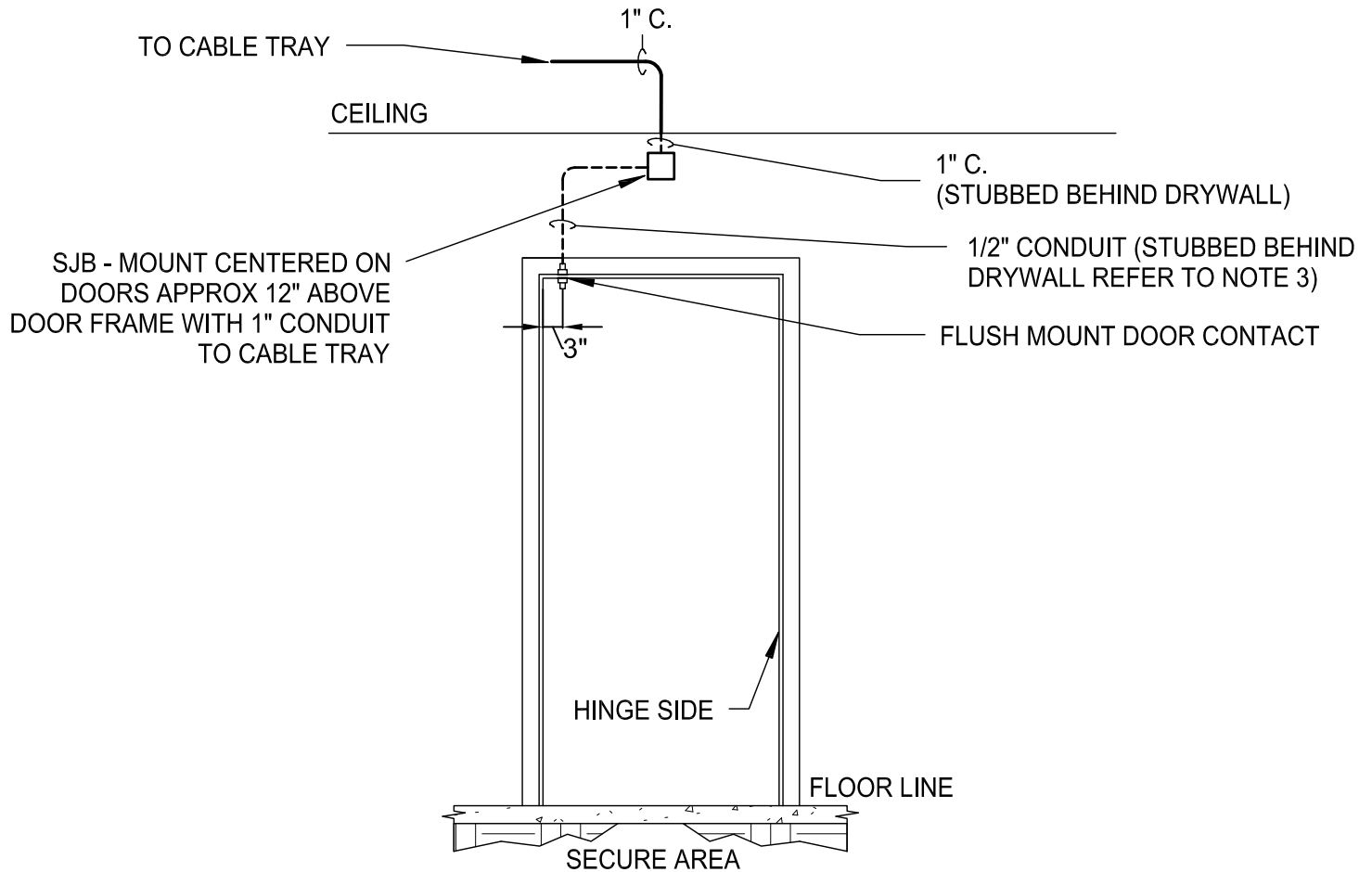


NOTES:

1. SECURITY JUNCTION BOX (SJB) SHALL BE 4X4 WITH SINGLE GANG MUD RING MOUNTED HORIZONTAL.
2. ALL INFRASTRUCTURE (ENCLOSURES, CONDUIT, ETC.) TO BE PROVIDED BY CONTRACTOR.
3. DOOR HEADER CONDUIT SHALL BE STUBBED TO JUST ENTER HEADER FRAME 3" TO 4" FROM OPENING SIDE OF DOOR.

DOUBLE DOOR

NO SCALE

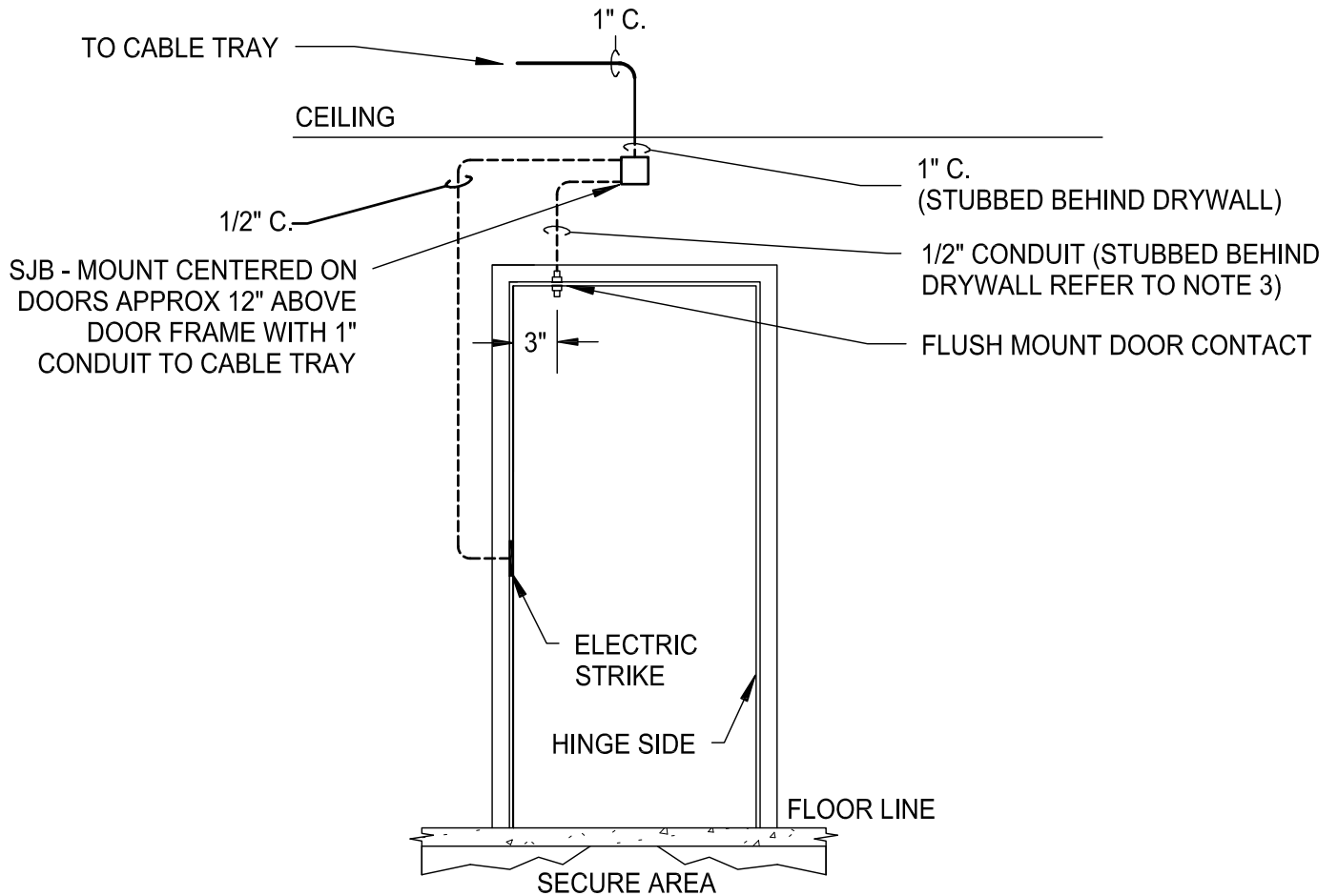


NOTES:

1. SECURITY JUNCTION BOX (SJB) SHALL BE 4X4 WITH SINGLE GANG MUD RING MOUNTED HORIZONTAL.
2. ALL INFRASTRUCTURE (ENCLOSURES, CONDUIT, ETC.) TO BE PROVIDED BY CONTRACTOR.
3. DOOR HEADER CONDUIT SHALL BE STUBBED TO JUST ENTER HEADER FRAME 3" TO 4" FROM OPENING SIDE OF DOOR.

SINGLE DOOR

NO SCALE

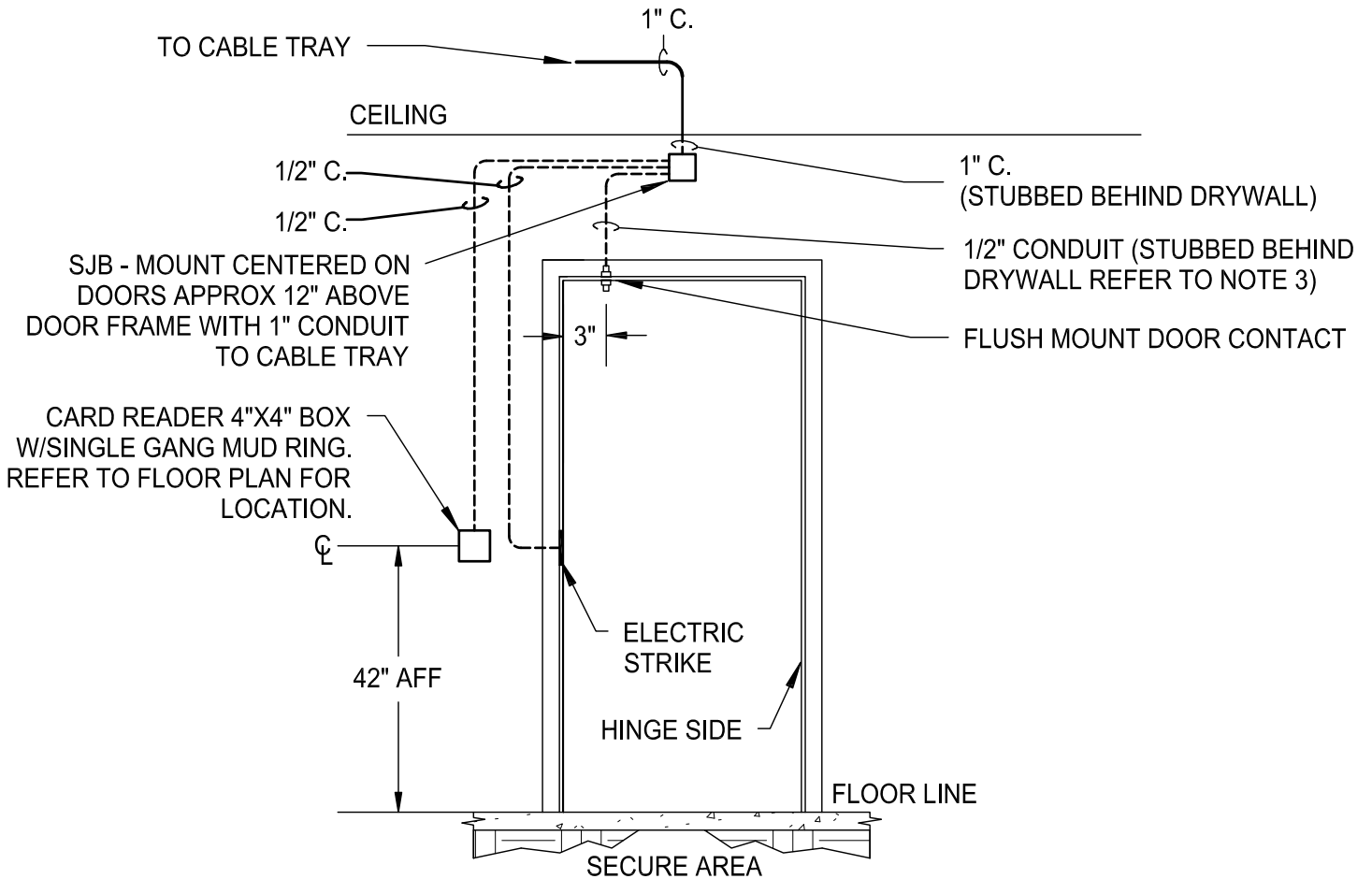


NOTES:

1. SECURITY JUNCTION BOX (SJB) SHALL BE 4X4 WITH SINGLE GANG MUD RING MOUNTED HORIZONTAL.
2. ALL INFRASTRUCTURE (ENCLOSURES, CONDUIT, ETC.) TO BE PROVIDED BY CONTRACTOR.
3. DOOR HEADER CONDUIT SHALL BE STUBBED TO JUST ENTER HEADER FRAME 3" TO 4" FROM OPENING SIDE OF DOOR.

SINGLE DOOR

NO SCALE

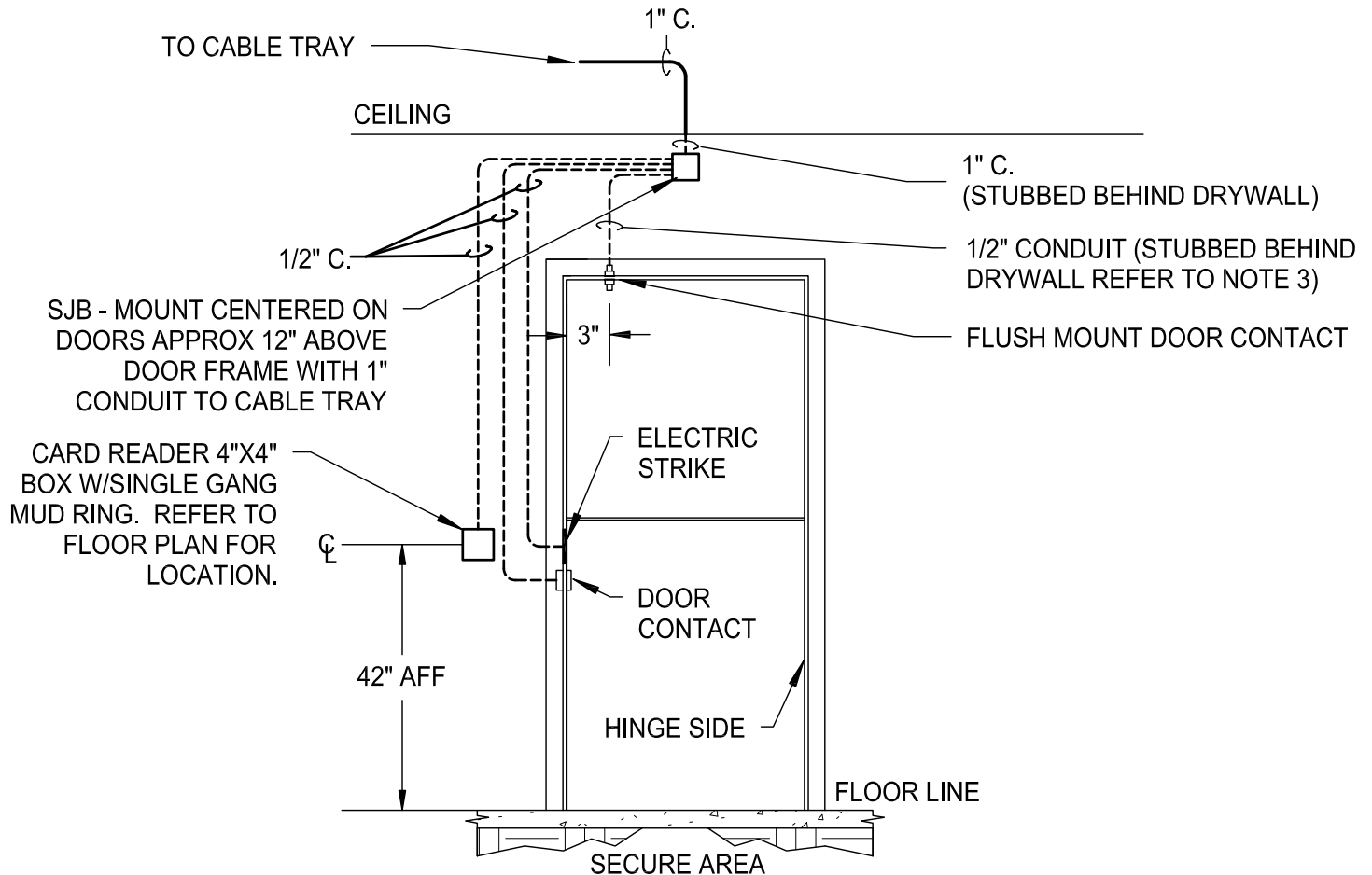


NOTES:

1. SECURITY JUNCTION BOX (SJB) SHALL BE 4X4 WITH SINGLE GANG MUD RING MOUNTED HORIZONTAL.
2. ALL INFRASTRUCTURE (ENCLOSURES, CONDUIT, ETC.) TO BE PROVIDED BY CONTRACTOR.
3. DOOR HEADER CONDUIT SHALL BE STUBBED TO JUST ENTER HEADER FRAME 3" TO 4" FROM OPENING SIDE OF DOOR.

SINGLE DOOR

NO SCALE

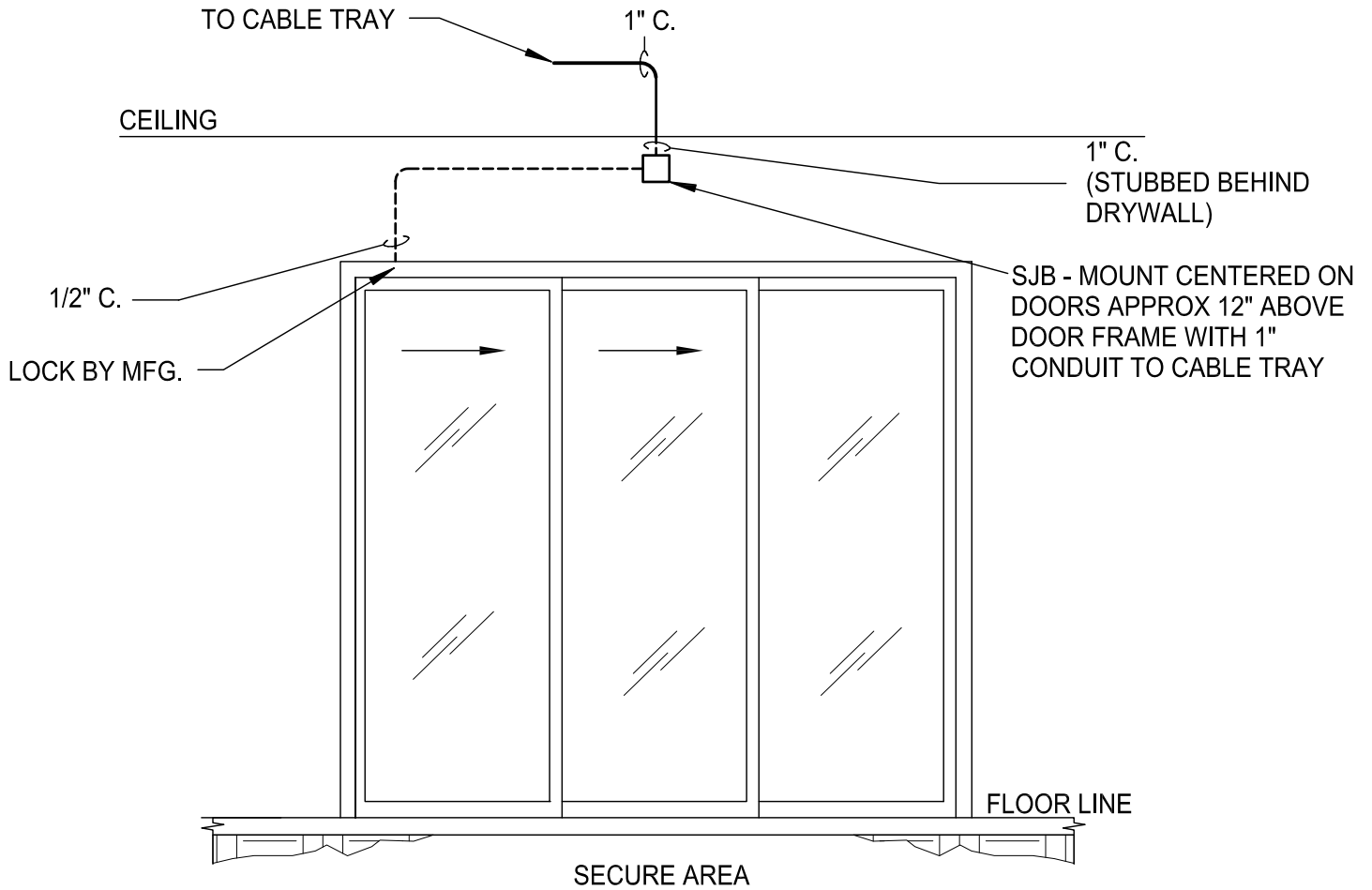


NOTES:

1. SECURITY JUNCTION BOX (SJB) SHALL BE 4X4 WITH SINGLE GANG MUD RING MOUNTED HORIZONTAL.
2. ALL INFRASTRUCTURE (ENCLOSURES, CONDUIT, ETC.) TO BE PROVIDED BY CONTRACTOR.
3. DOOR HEADER CONDUIT SHALL BE STUBBED TO JUST ENTER HEADER FRAME 3" TO 4" FROM OPENING SIDE OF DOOR.

SINGLE DUTCH DOOR

NO SCALE



NOTES:

1. SECURITY JUNCTION BOX (SJB) SHALL BE 4X4 WITH SINGLE GANG MUD RING MOUNTED HORIZONTAL.
2. ALL INFRASTRUCTURE (ENCLOSURES, CONDUIT, ETC.) TO BE PROVIDED BY CONTRACTOR.

SLIDING DOOR

NO SCALE