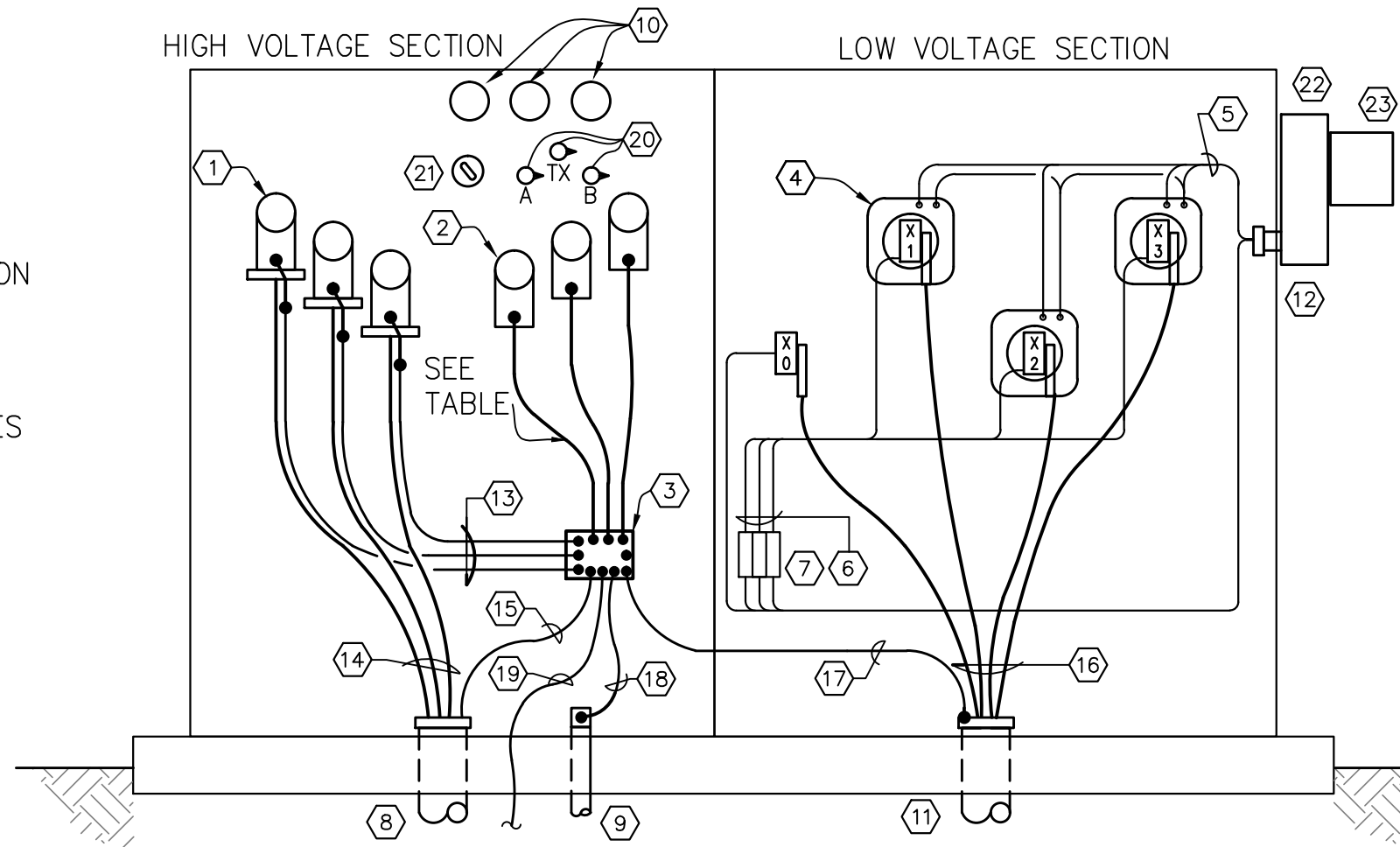


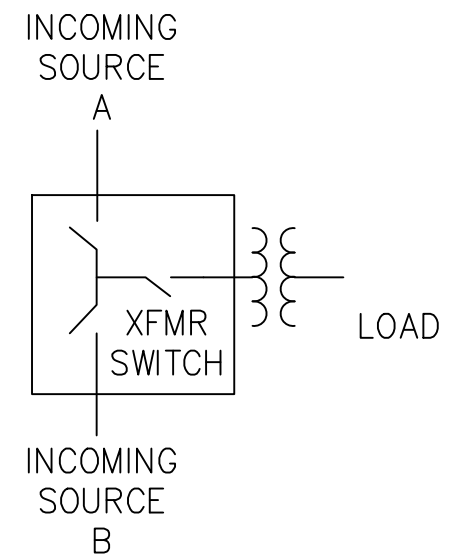
DETAIL NOTES

- ① LOAD BREAK ELBOW (TYP)
- ② M.O.V. ARRESTER (TYP)
- ③ OVERSIZED GROUNDING PAD
- ④ BUSHING C.T.
- ⑤ 4#12 AWG CURRENT LEADS
- ⑥ 4#14 AWG POTENTIAL LEADS
- ⑦ FUSE BLOCK. (3) 2A FUSES MOUNT ON HV-LV COMPARTMENT BARRIER
- ⑧ PRIMARY CONDUIT
- ⑨ 10' BY 3/4" GROUND ROD
- ⑩ DUAL ACTING CURRENT LIMITING FUSES
- ⑪ SECONDARY CONDUIT
- ⑫ METERING CONDUIT
- ⑬ 3#10 AWG ELBOW DRAIN WIRES
- ⑭ PRIMARY CABLES
- ⑮ PRIMARY GROUND SIZE PER TABLE
- ⑯ SECONDARY CABLES
- ⑰ SECONDARY GROUND
- ⑱ #6 BARE CU TO GND ROD.
- ⑲ #6AWG PRIMARY DUCTBANK GROUND CONDUCTOR
- ⑳ A,B LOOP SWITCHES WITH ON-OFF RADIAL XFMR SWITCH
- ㉑ NO LOAD TAP CHANGER OPERATOR
- ㉒ METER BASE
- ㉓ METER

GROUNDING ELECTRODE CONDUCTOR	
TRANS SIZE	GEC SIZE
50 KVA	#2 AWG
75 KVA	#2 AWG
112.5 KVA	#1/0 AWG
150 KVA	#1/0 AWG
>=225 KVA	#2/0 AWG



○ — TRANSFORMER DETAIL WITH METER
NTS



LOOP SWITCHES WITH ON-OFF RADIAL SWITCH