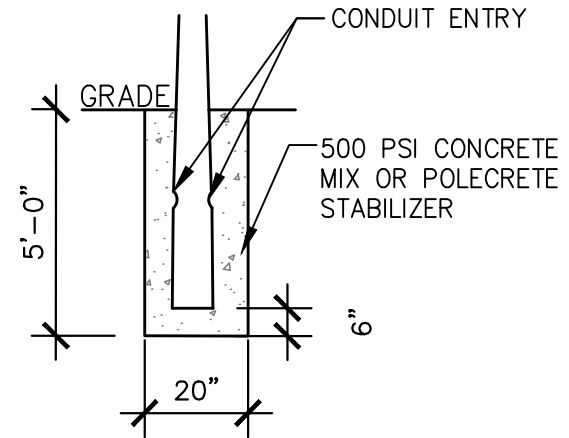
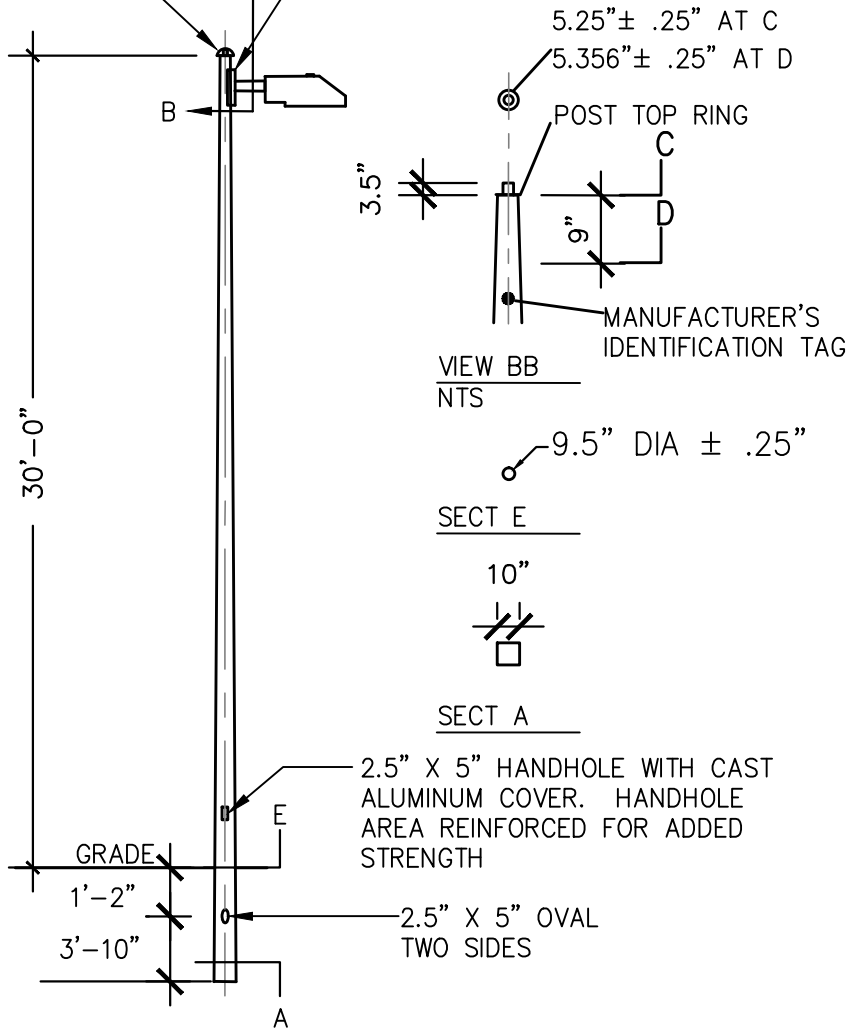


POLE TOP ROUND
DOME CAP

REINFORCED FOR SIDE MOUNT
BRACKET(S) SEE PLAN FOR NUMBER
OF ARMS.



DIRECT EMBEDMENT DETAIL

NOTE:
DESIGN BASED ON 2500 UNCONFINED
COMPRESSIVE STRENGTH OF
COHESIVE SOIL. 8.3 EPA MAXIMUM,
5.25" ROUND POLE TOP AND 10"
SQUARE POLE BOTTOM.

30 FT DIRECT BURY FIBERGLASS POLE
NTS