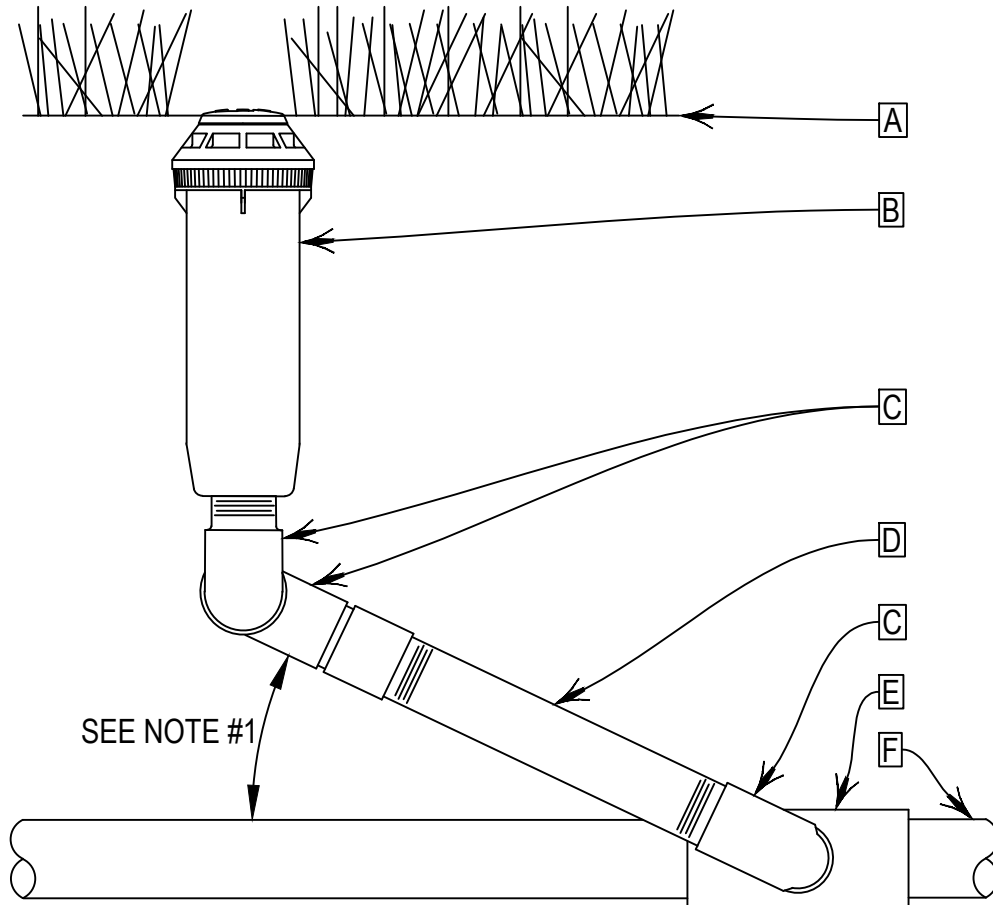


- A. FINISH GRADE
- B. GEAR DRIVEN ROTOR
- C. MARLEX STREET ELBOW
- D. SCH. 80 PVC THREADED NIPPLE (LENGTH AS REQUIRED)
- E. SCH. 40 PVC TEE OR ELBOW
- F. PVC LATERAL PIPE



NOTE:

1. INSTALL SWING JOINT LAY ARM BETWEEN 30° AND 45° OF LATERAL PIPE IN ORDER TO ABSORB DOWNWARD IMPACT.



**POP-UP ROTOR SPRINKLER
ASSEMBLY**

N.T.S.

L17 POP-UP ROTOR SPRINKLER ASSEMBLY