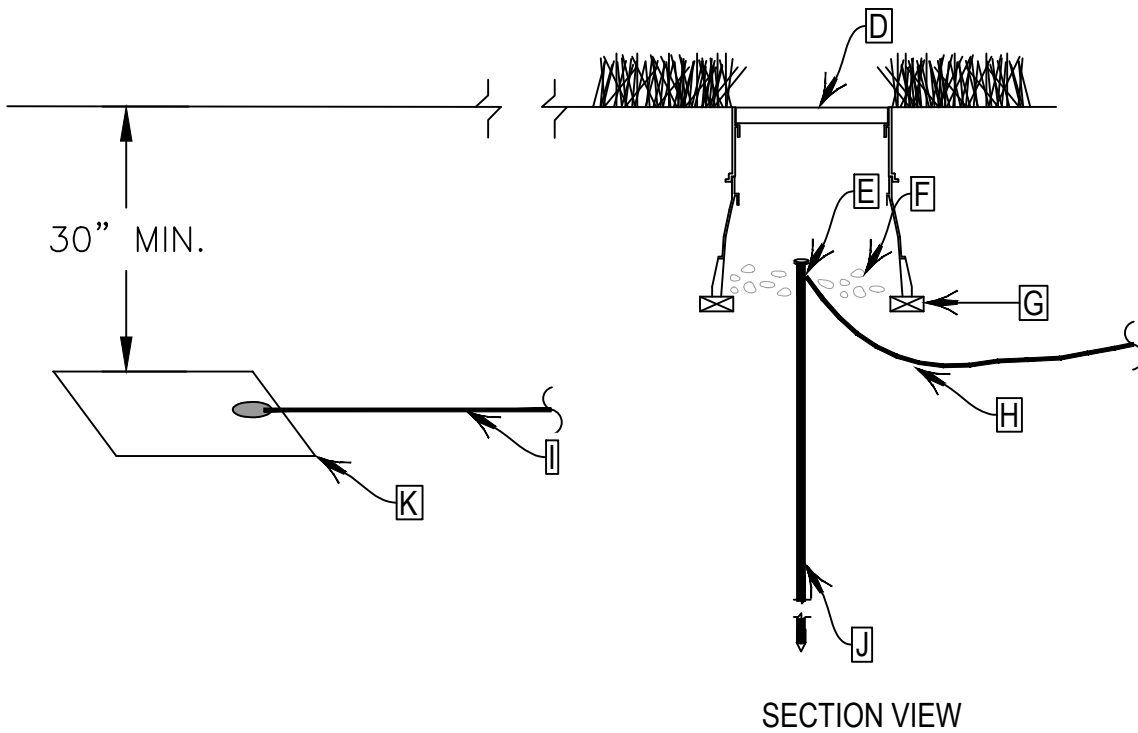


- A. IRRIGATION CONTROLLER ASSEMBLY
- B. GROUNDING PLATE
- C. GROUNDING ROD
- D. 10-INCH VALVE BOX WITH COVER
- E. CADWELD CONNECTION: PAIGE
- F. 3-INCH MINIMUM DEPTH OF 3/4-INCH WASHED GRAVEL
- G. BRICK (1 OF 4)
- H. #6 AWG INSULATED COPPER GROUND WIRE FROM CONTROLLER
- I. #6 AWG INSULATED COPPER WIRE. NO SHARP BENDS FROM CONTROLLER.
- J. U.L. LISTED 5/8" X 10' COPPER GROUNDING ROD
- K. U.L. LISTED 4" X 96" X 0.06" COPPER GROUNDING PLATE



 **IRRIGATION CONTROLLER GROUNDING SCHEMATIC**

N.T.S.