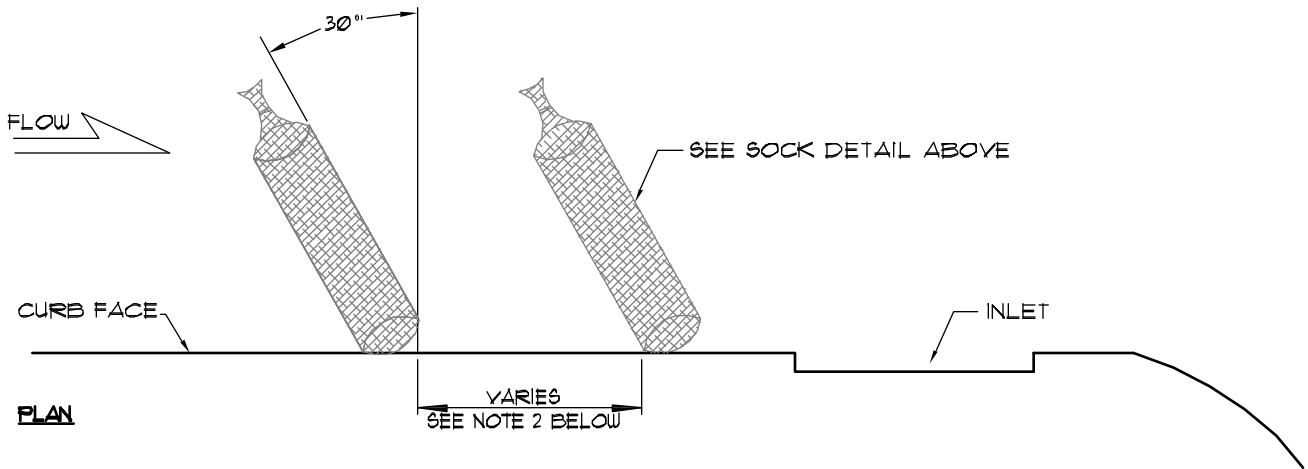
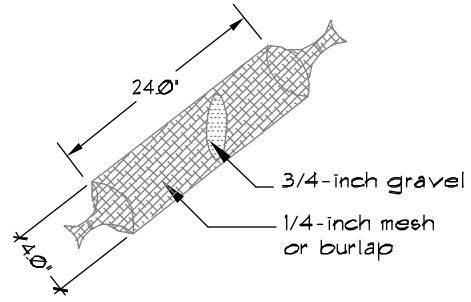


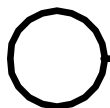
**SOCK DETAIL**

OR



**NOTES:**

1. EROSION CONTROL MEASURES SHALL BE MAINTAINED AT ALL TIMES
2. SOCKS WILL BE USED UPGRADIENT OF INLET PERPENDICULAR TO AND FLUSH WITH CURB.
3. NO LESS THAN TWO 10-INCH DIAMETER SOCKS MUST BE USED IN SEQUENCE, SPACED NO MORE THAN FIVE FEET APART, UPGRADIENT OF INLET. NO LESS THAN SIX SOCKS SHALL BE USED IF THE 4-INCH SOCK IS USED, ALSO SPACED AT NO MORE THAN 5 FEET APART.
4. INCLINE AT 30 DEGREES FROM PERPENDICULAR, OPPOSITE THE DIRECTION OF FLOW (SEE PLAN ABOVE).



# INLET PROTECTION CURB SOCK

SCALE: NTS

SOURCE:  
URBAN DRAINAGE AND  
FLOOD CONTROL DISTRICT  
DRAINAGE CRITERIA MANUAL (V.3)