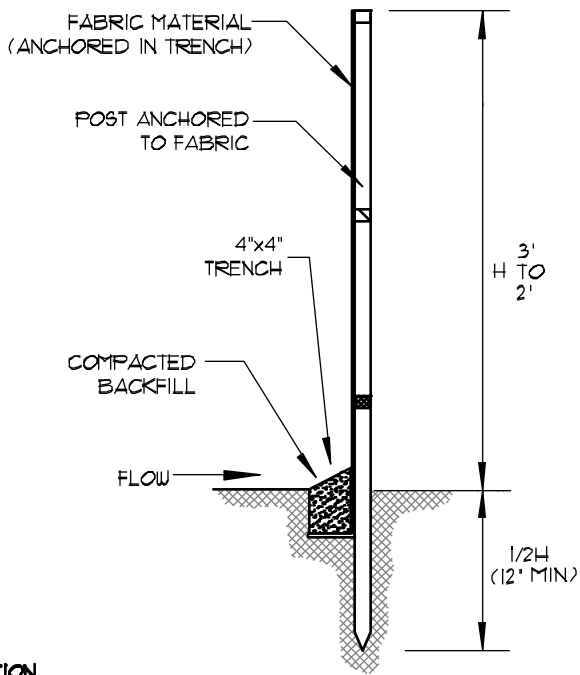


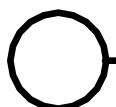
SILT FENCE INSTALLATION



SECTION

NOTE:
 EROSION CONTROL MEASURES SHALL BE MAINTAINED UNTIL LANDSCAPING IS COMPLETED, AND SITE IS STABILIZED.

SOURCE:
 URBAN DRAINAGE AND FLOOD CONTROL DISTRICT DRAINAGE CRITERIA MANUAL (V3)



SILT FENCE

SCALE: NTS