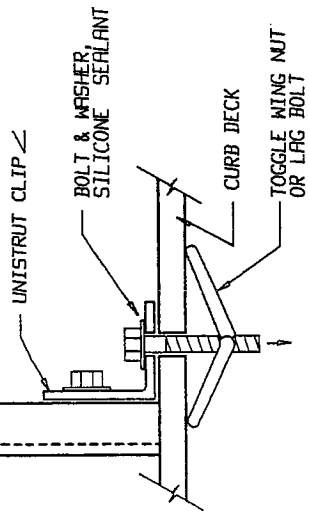


NOTES

1. IF FLANGES ARE NOT PROVIDED, OVERLAP 50% TO RND. ADAPTER A MINIMUM OF 3" ON 3 SIDES AND SCREW TO HOUSING @ 3" O.C. WITH #10 STAINLESS SHEET METAL SCREWS.
2. GUY WIRES ARE NOT REQUIRED.
3. ALL STACKS EQUAL TO OR GREATER THAN 18" DIAMETER, 16 GAGE, MINIMUM.
ALL STACKS LESS THAN 18" DIAMETER, 18 GAGE, MINIMUM.
- TRANSITION NOT TO EXCEED 30 DEGREES.
- FASTEN FRAME TO CURB STRUCTURE CROSS-BRACING WITH LAG BOLTS. SET FRAME IN BED OF SILICONE AND COVER BOLT WITH SILICONE.



FUME HOOD EXHAUST FAN DETAIL

12/94