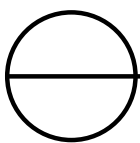


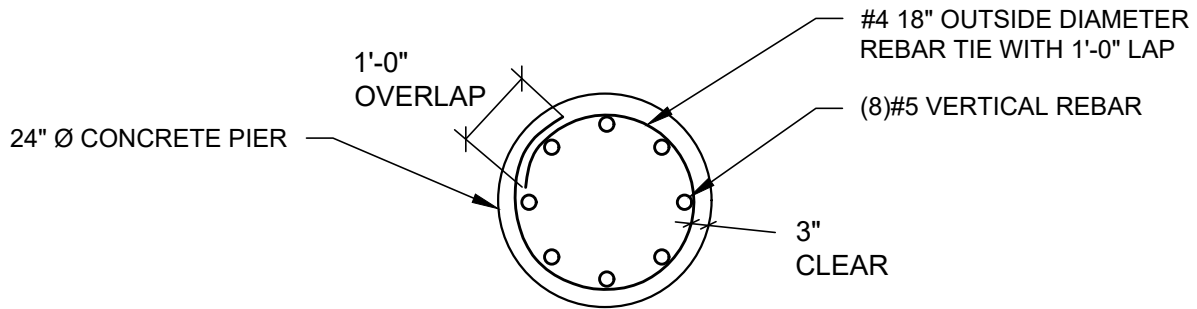
**15' LIGHT POLE BASE**



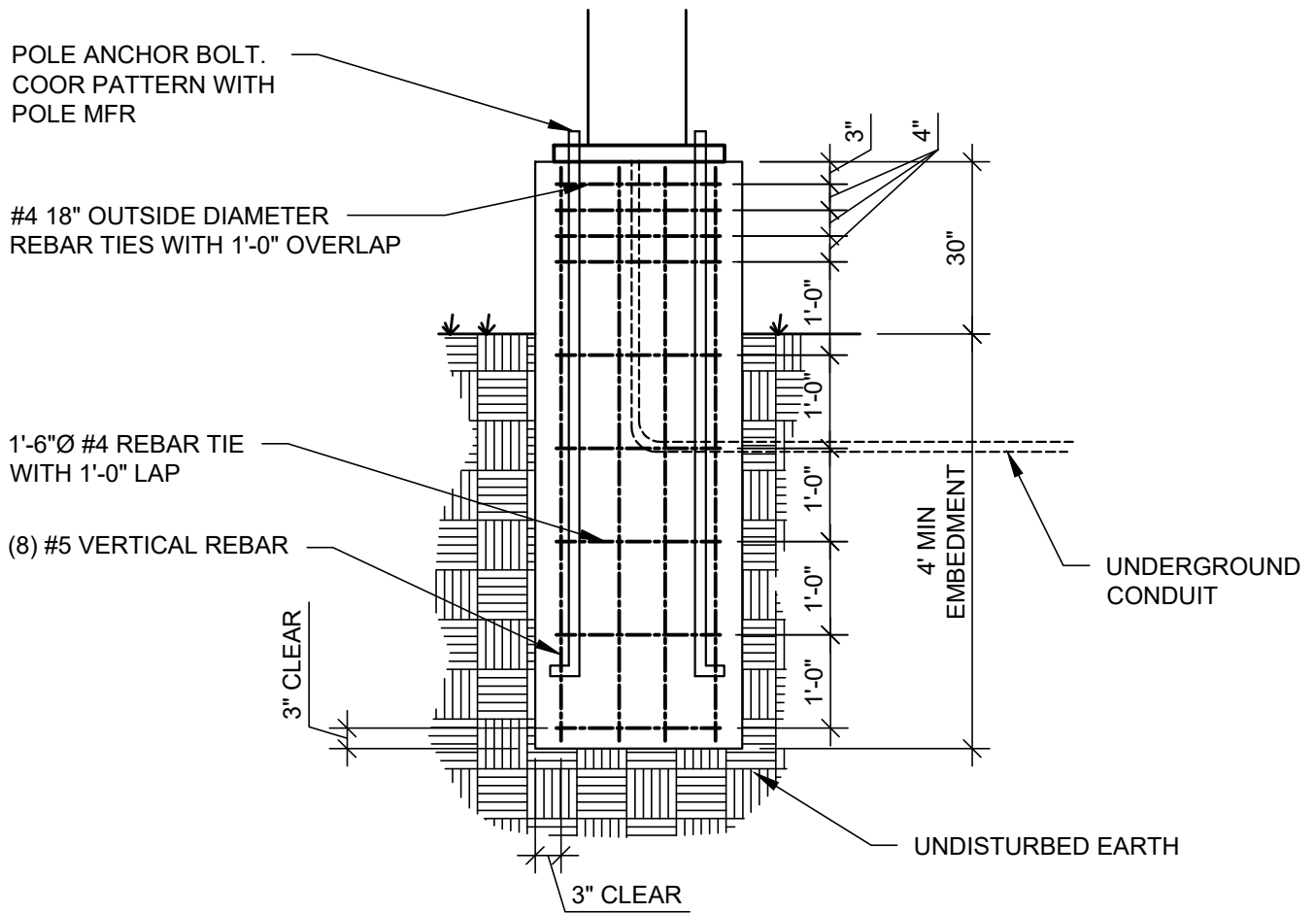
**15' LIGHT POLE WITH 30" HT CAISSON**

NO SCALE

<b>Colorado State University</b> FACILITIES PLANNING, DESIGN AND CONSTRUCTION STANDARDS	DRAWING: <b>E-10A</b>
	DATE: 03/10/2021
<b>15' LIGHT POLE FOUNDATION          WITH 30" HT CAISSON</b>	



**PIER PLAN**



**PIER ELEVATION**

<b>Colorado State University</b> FACILITIES PLANNING, DESIGN AND CONSTRUCTION STANDARDS	DRAWING: <b>E-10B</b>
	ELECTRICAL DIV. 26
DATE: 03/10/2021	
<b>15' LIGHT POLE FOUNDATION          WITH 30" HT CAISSON</b>	