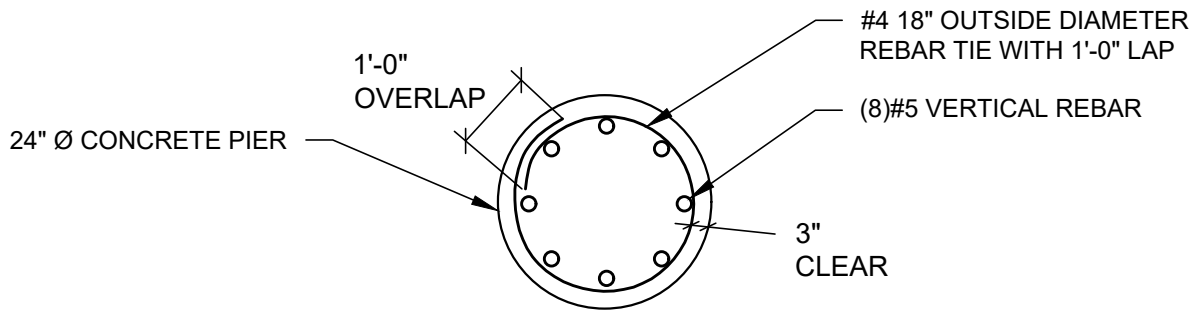


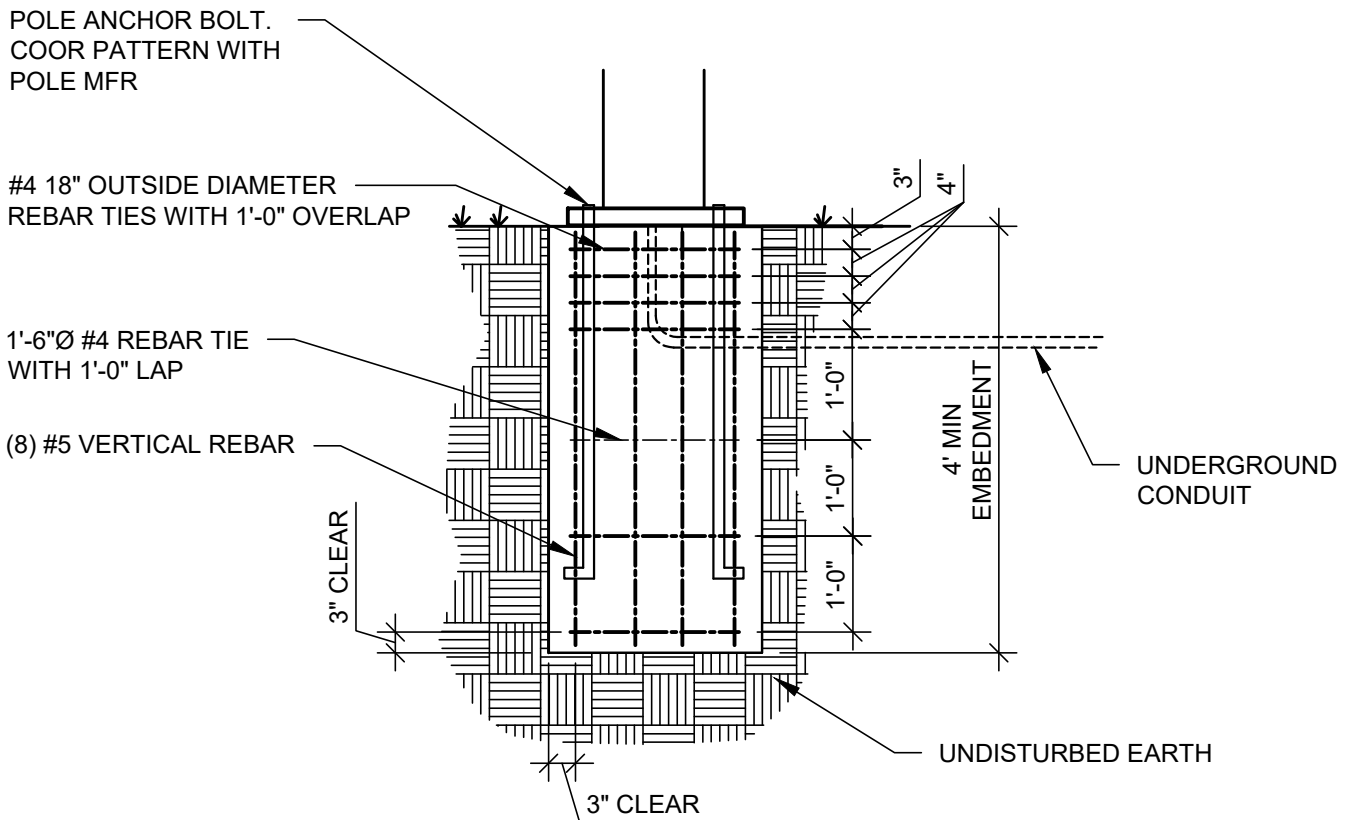
15' LIGHT POLE WITH 0 HT CAISSON

NO SCALE

Colorado State University FACILITIES PLANNING, DESIGN AND CONSTRUCTION STANDARDS	DRAWING: E-11A
	ELECTRICAL DIV. 26
DATE: 03/10/2021	
15' BASED MOUNTED FIBERGLASS POLE WITH 0HT CAISSON	



PIER PLAN



PIER ELEVATION

Colorado State University FACILITIES PLANNING, DESIGN AND CONSTRUCTION STANDARDS	DRAWING: E11B
	ELECTRICAL DIV. 26
DATE: 03/10/2021	
15' LIGHT POLE FOUNDATION WITH 0 HT CAISSON	