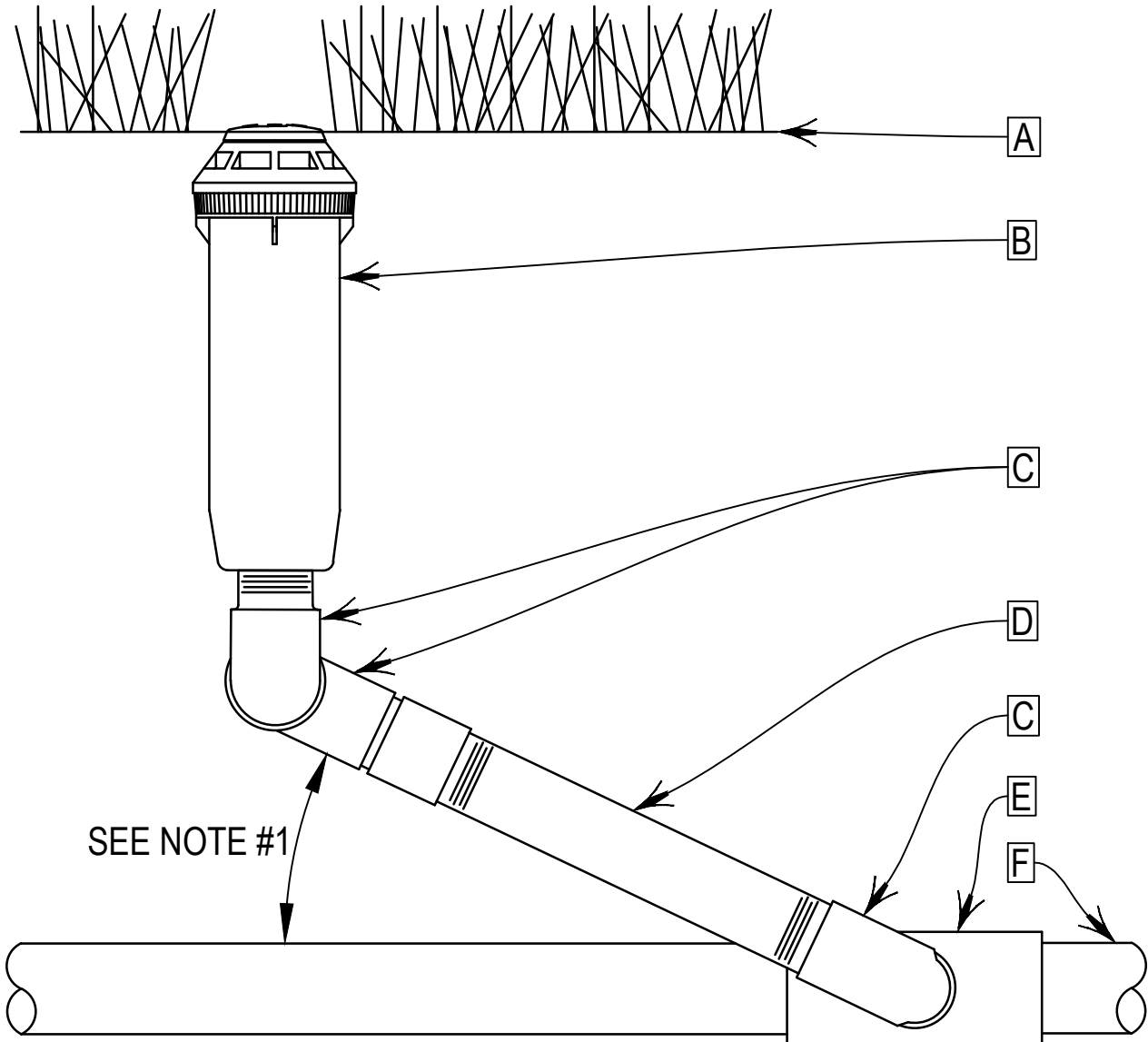


FLAG NOTES:

- A. FINISH GRADE
- B. GEAR DRIVEN ROTOR
- C. MARLEX STREET ELBOW
- D. SCH. 80 PVC THREADED NIPPLE (LENGTH AS REQUIRED)
- E. SCH. 40 PVC TEE OR ELBOW
- F. PVC LATERAL PIPE



GENERAL NOTES:

1. INSTALL SWING JOINT LAY ARM BETWEEN 30° AND 45° OF LATERAL PIPE IN ORDER TO ABSORB DOWNWARD IMPACT.

Colorado State University FACILITIES PLANNING, DESIGN AND CONSTRUCTION STANDARDS	DRAWING: L-17
DATE: 03/22/2021	EXTERIOR IMP. DIV. 32
POP-UP ROTOR SPRINKLER ASSEMBLY	