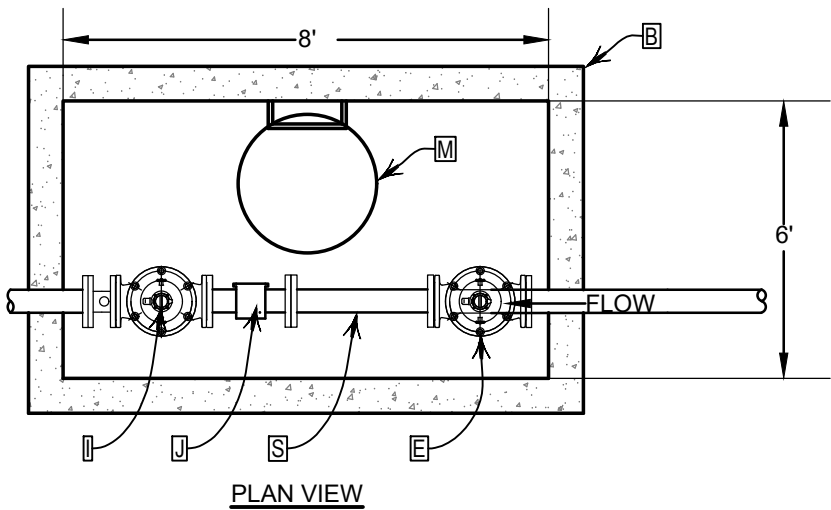


FLAG NOTES:

- A. VAULT STEP, TYP. 12" O.C.
- B. PRE-CAST CONCRETE VAULT. INSIDE DIMENSIONS: 6-FEET WIDE, 8-FEET LONG, 6-FEET HIGH.
- C. 3-INCH DI COUPLING WITH TRANSITION GASKETS. INSTALL JOINT RESTRAINTS.
- D. 3-INCH CL200 PVC MAINLINE
- E. 3-INCH ULTRASONIC FLOW METER: ARAD OCTAVE. WIRE TO CONTROLLER PER MANUFACTURER'S GUIDELINES. ALL WIRING TO BE WITHIN 1-1/2-INCH CONDUIT.
- F. 1-1/2" INCH STEEL BALL VALVE AND NIPPLE. INTENDED FOR WINTERIZATION.
- G. 1-1/2" INCH THREAD-O-LET INSTALLED ON A 3-INCH LONG SPOOL PIECE
- H. PIPE STAND, TYP
- I. 3-INCH PRESSURE REGULATING VALVE: CLA VAL 90-01
- J. 3-INCH CLA VAL H-STRAINER X43H
- K. 8-INCH DEPTH GRAVEL OVER 95% SPD COMPACTED SUBGRADE
- L. 10-INCH ROUND VALVE BOX WITH EXTENSIONS
- M. PRE-CAST CONCRETE 24-INCH DIAMETER MANHOLE, ALUMINUM COVER, TRAFFIC RATED H-20
- N. PIPE CONNECTION - COORDINATE WITH OWNER'S REPRESENTATIVE
- O. PIPE - COORDINATE WITH OWNER'S REPRESENTATIVE ON DESIRED TYPE
- P. 6-INCH ANTI-FLOATATION RING AROUND ENTIRE PERIMETER OF VAULT
- Q. ISOLATION GATE VALVE. REFER TO DETAIL.
- R. WATERMAN AV-150 AIR VACUUM RELIEF VALVE (1-INCH) WITH GALVANIZED NIPPLE AND CAST IRON GATE VALVE. THREAD INTO SPOOL PIECE WITH 1-INCH THREAD-O-LET.
- S. 3-INCH SCH. 40 STEEL SPOOL PIECE



GENERAL NOTES:

1. ALL PIPE PENETRATIONS TO BE SEALED WITH LINKSEAL OR HYDRAULIC CEMENT.
2. PROVIDE SHOP DRAWING OF ASSEMBLY FOR REVIEW AND APPROVAL PRIOR TO CONSTRUCTION.
3. LOCATION OF VAULT MUST BE COORDINATED WITH THE OWNER'S REPRESENTATIVE ON SITE PRIOR TO CONSTRUCTION.
4. USE ONLY STAINLESS STEEL HARDWARE FOR FLANGED CONNECTIONS.
5. INSTALL NECESSARY STEEL BUSHINGS TO ACHIEVE PROPER THREAD DIAMETER FOR WINTERIZATION BALL VALVE'S NIPPLE.
6. USE 45-DEGREE FITTINGS ON EITHER END OF ASSEMBLY TO TRANSITION TO THE TYPICAL MAINLINE BURIAL DEPTH OUTLINED IN THE SPECIFICATIONS.

Colorado State University FACILITIES PLANNING, DESIGN AND CONSTRUCTION STANDARDS	DRAWING: L-25
	EXTERIOR IMP. DIV. 32
DATE: 03/22/2021	
3" METER AND PRESSURE REGULATOR ASSEMBLY	