

Colorado State University FACILITIES PLANNING, DESIGN AND CONSTRUCTION STANDARDS	DRAWING: M-12A
	MECHANICAL DIV.23
DATE: 03/04/2021	
CHILL WATER COIL PIPING - AHU1 DETAIL	

PLUG VALVE AND VENTURI FOR PIPING 2-1/2" AND LARGER. CALIBRATED BALANCE VALVE FOR 2" AND SMALLER

PROVIDE 36" LONG REMOVABLE INSULATION SECTION FOR ULTRASONIC FLOW METER.

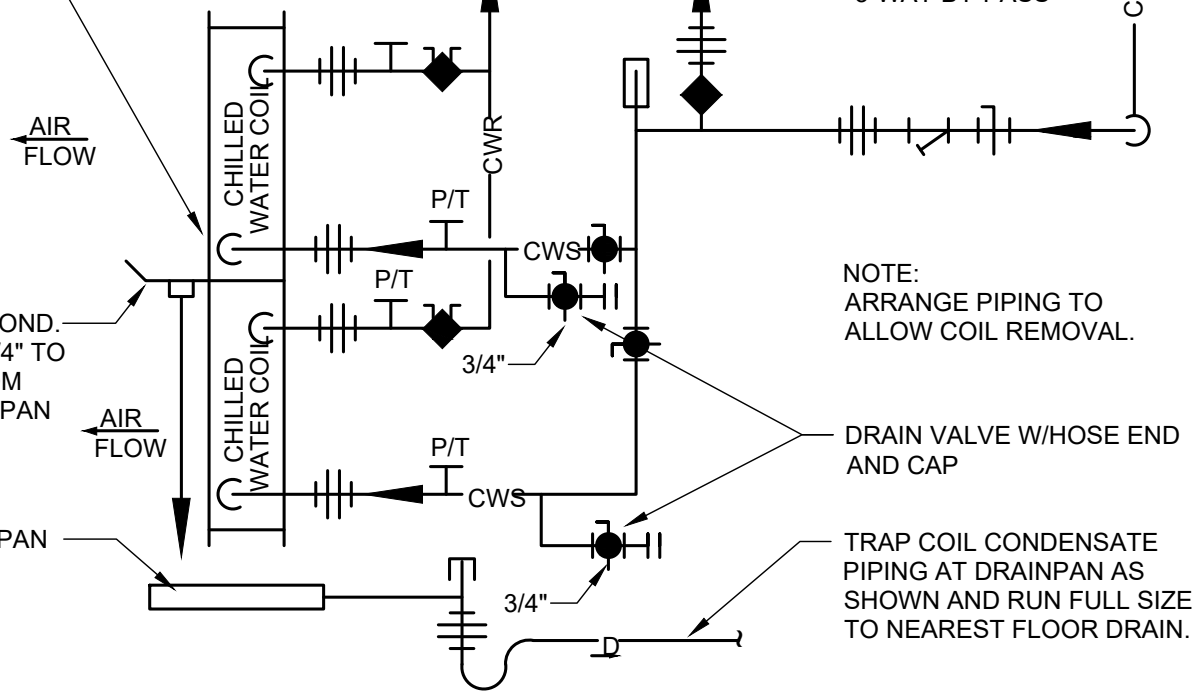
MANUAL VENT VALVE

NOTE:
INSTALL CWS PIPING ON LEAVING AIR SIDE OF COIL (TYP.)

CWR MAIN

CWS MAIN

3-WAY BY-PASS



NOTE:
ARRANGE PIPING TO
ALLOW COIL REMOVAL.

DRAIN VALVE W/HOSE END
AND CAP

TRAP COIL CONDENSATE
PIPING AT DRAINPAN AS
SHOWN AND RUN FULL SIZE
TO NEAREST FLOOR DRAIN.

Colorado State University

FACILITIES PLANNING, DESIGN
AND CONSTRUCTION STANDARDS

DRAWING:

M-12B

DATE: 03/04/2021

MECHANICAL
DIV.23

CHILL WATER COIL PIPING -
AHU2 DETAIL