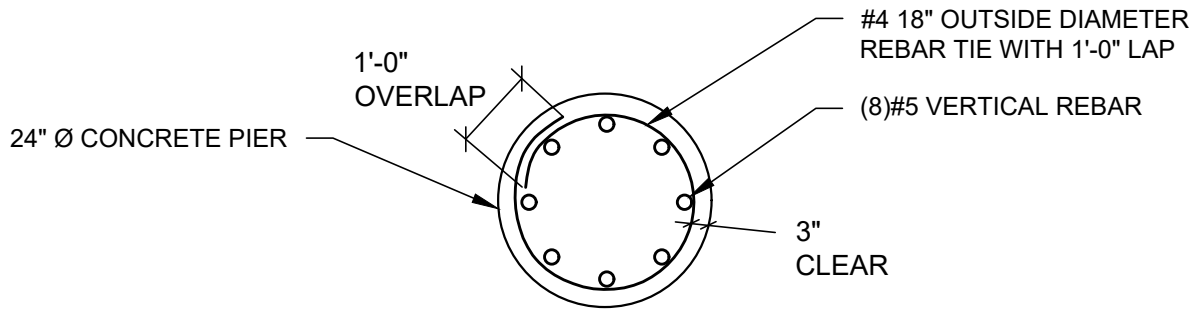


15' LIGHT POLE BASE

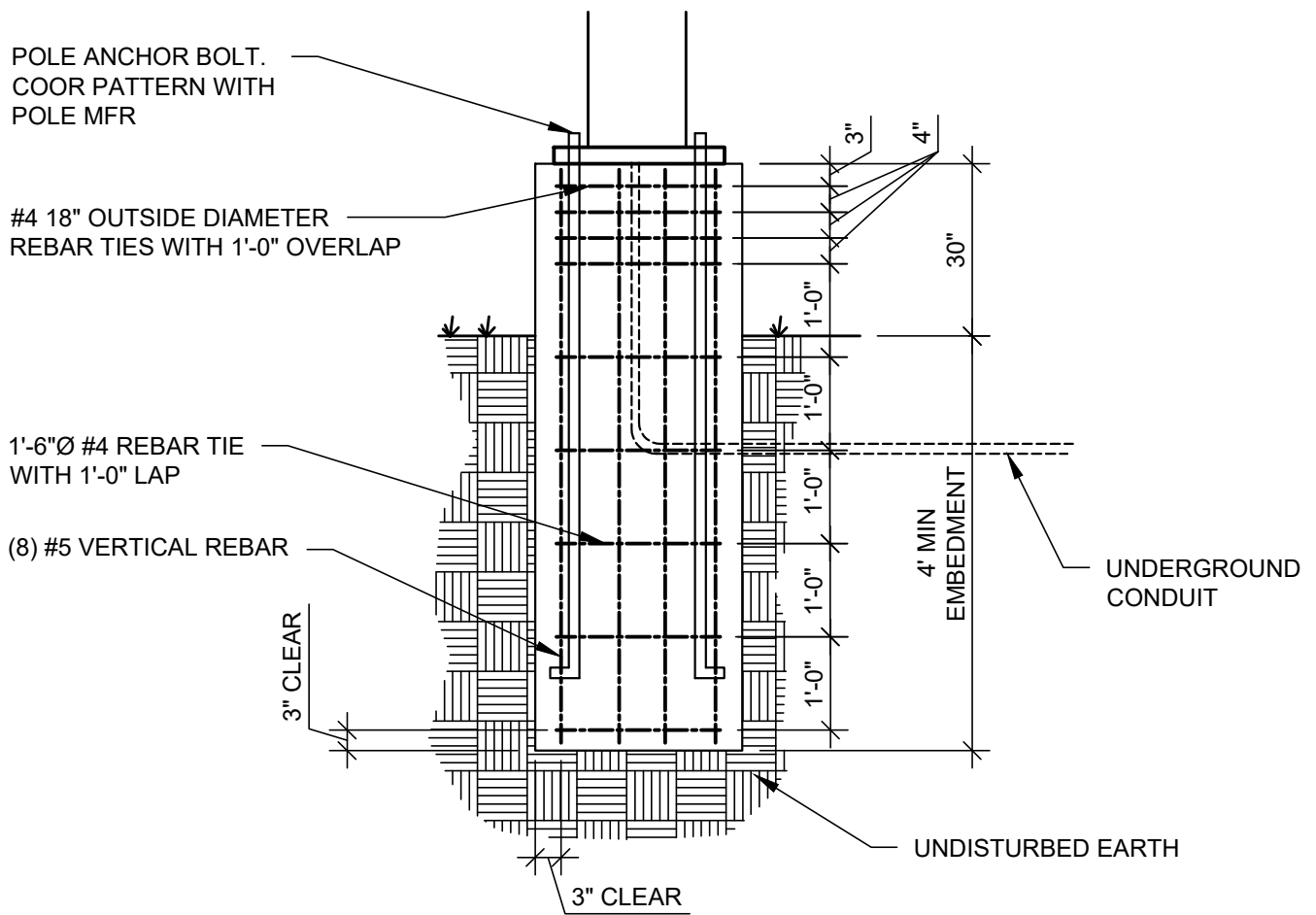
15' LIGHT POLE WITH 30" HT CAISSON

NO SCALE

Colorado State University FACILITIES PLANNING, DESIGN AND CONSTRUCTION STANDARDS	DRAWING: E-10A
	DATE: 03/10/2021
15' LIGHT POLE FOUNDATION WITH 30" HT CAISSON	



PIER PLAN



PIER ELEVATION

Colorado State University FACILITIES PLANNING, DESIGN AND CONSTRUCTION STANDARDS	DRAWING: E-10B
	ELECTRICAL DIV. 26
DATE: 03/10/2021	
15' LIGHT POLE FOUNDATION WITH 30" HT CAISSON	