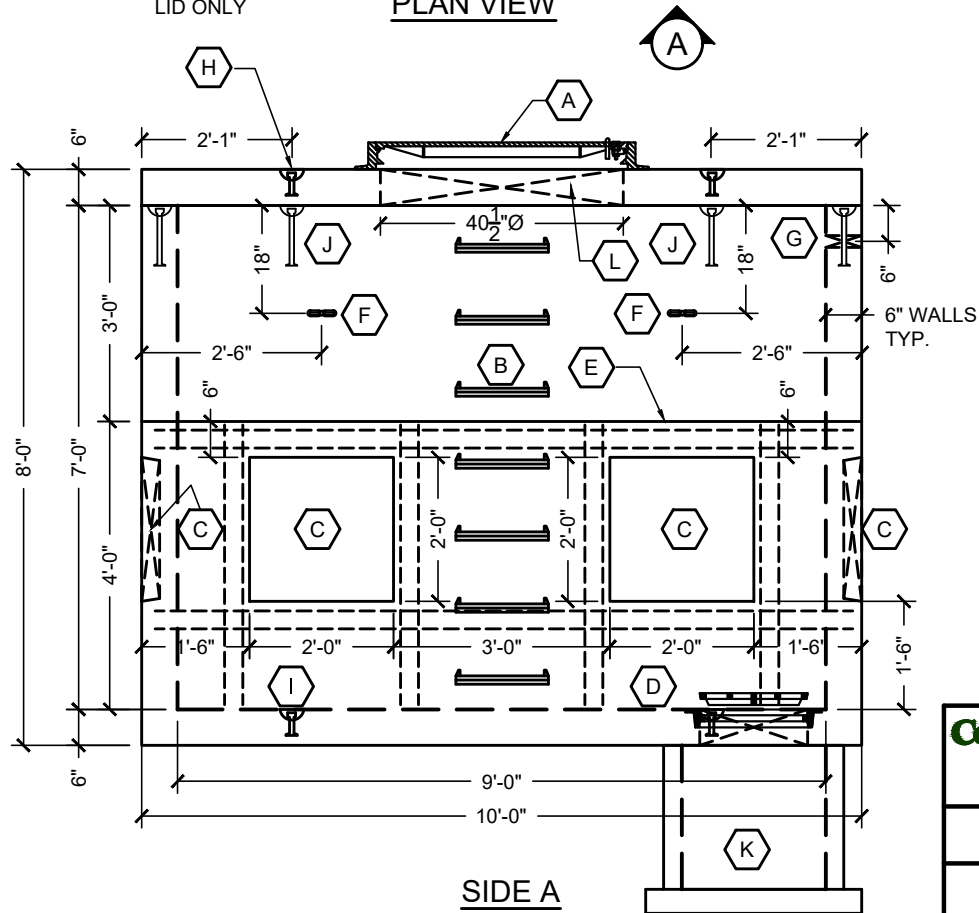


PLAN VIEW



SIDE A

- A** CASTINGS ALUMINUM MH-550-42R AL RING & COVER STAMPED "ELECTRIC"
- B** ML-13-NCR STEPS @ 12" O.C.
- C** 24" x 24" X 3" DEEP KNOCKOUT IN WALL
- D** D&L D-6018 RING WITH GRATE CAST INTO FLOOR FOR SUMP
- E** VAULT JOINT
- F** 5/8"Ø-11 NC F-62 FLARED THIN SLAB INSERT CAST INTO WALL FOR EYE BOLT (EYE BOLT SUPPLIED BY C.P.C.)
- G** 2" PVC PIPE CAST IN FOR DRAIN
- H** P-52 4-TON 3/4" SWIFT LIFT IN LID
- I** P-52 4-TON 3/4" SWIFT LIFT IN FLOOR
- J** P-52 4-TON 9/2" SWIFT LIFT IN TOP OF WALL
- K** 24"Ø x 24" DEEP MANHOLE BASE FOR SUMP
- L** 40 1/2"Ø BLOCKOUT IN LID

NOTES:

1. EXTERIOR OF VAULT TO BE COATED WITH ONE COAT OF DECO DAMPROOFING
2. VAULT AND LID JOINT TO BE SEALED WITH 2 ROWS OF 1-1/2" BUTYL SEALANT.
3. 24"Ø SUMP SEALED WITH 3/4" BUTYL RUBBER SEALANT

CONCRETE STRENGTH=4,000 psi
 REBAR STRENGTH=60,000 psi, GRADE 60
 PEDESTRIAN RATED (300 psf) W/ UP TO 12" OF SOIL COVER

WEIGHT/CONCRETE:

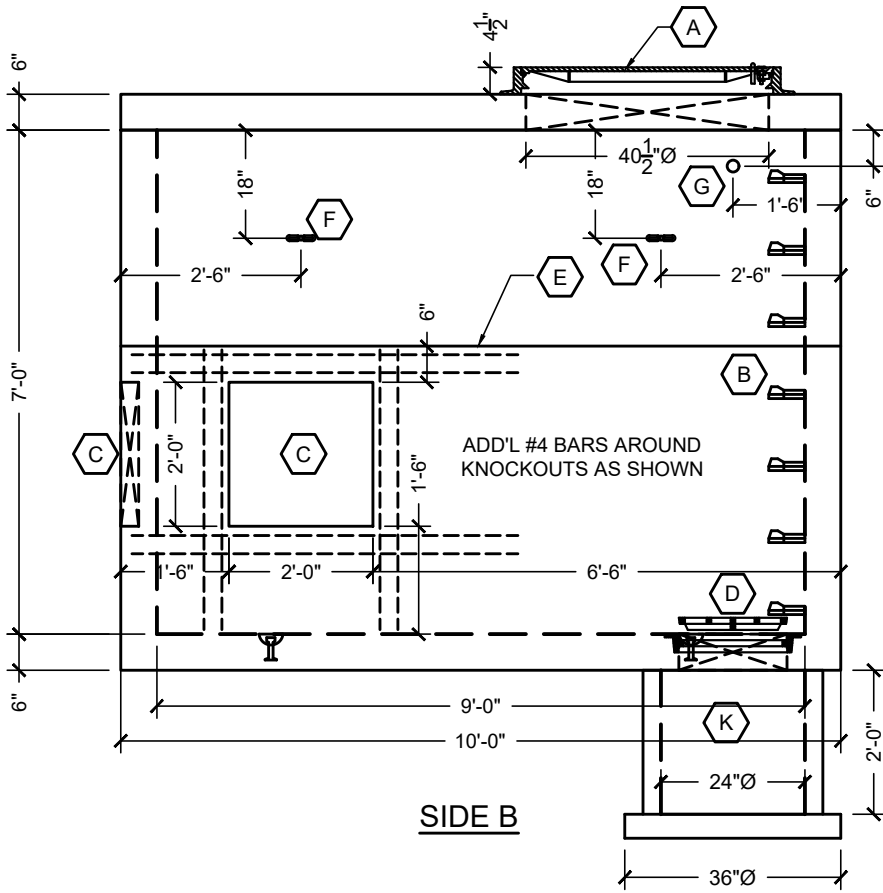
LID: 6,829 LBS / 1.69 CY
 UPPER VAULT: 8,606 LBS / 2.13 CY
 LOWER VAULT: 18,575 LBS / 4.59 CY
 TOTAL: 34,010 LBS / 8.40 CY

SCALE: 3/8" = 1'-0"

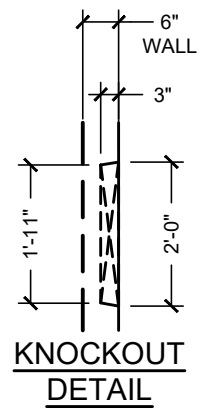
Colorado State University FACILITIES PLANNING, DESIGN AND CONSTRUCTION STANDARDS	DRAWING: E-8A
	ELECTRICAL DIV. 26

DATE: 03/07/2021

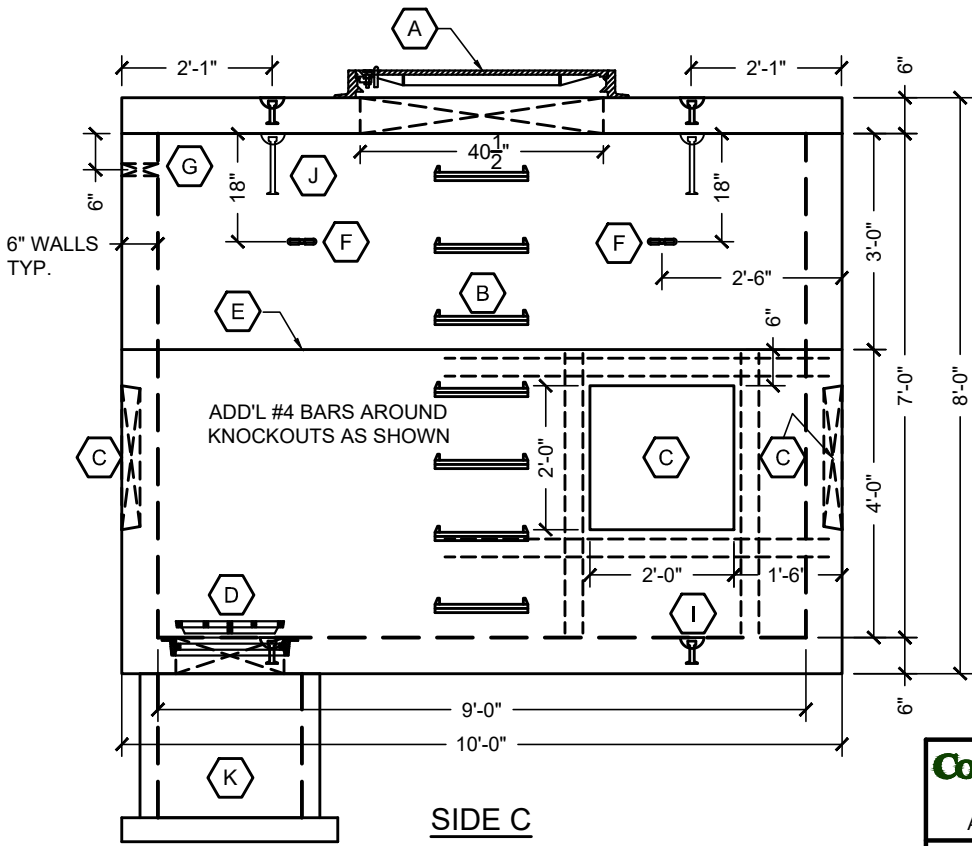
10'x10' VAULT DETAIL



SIDE B



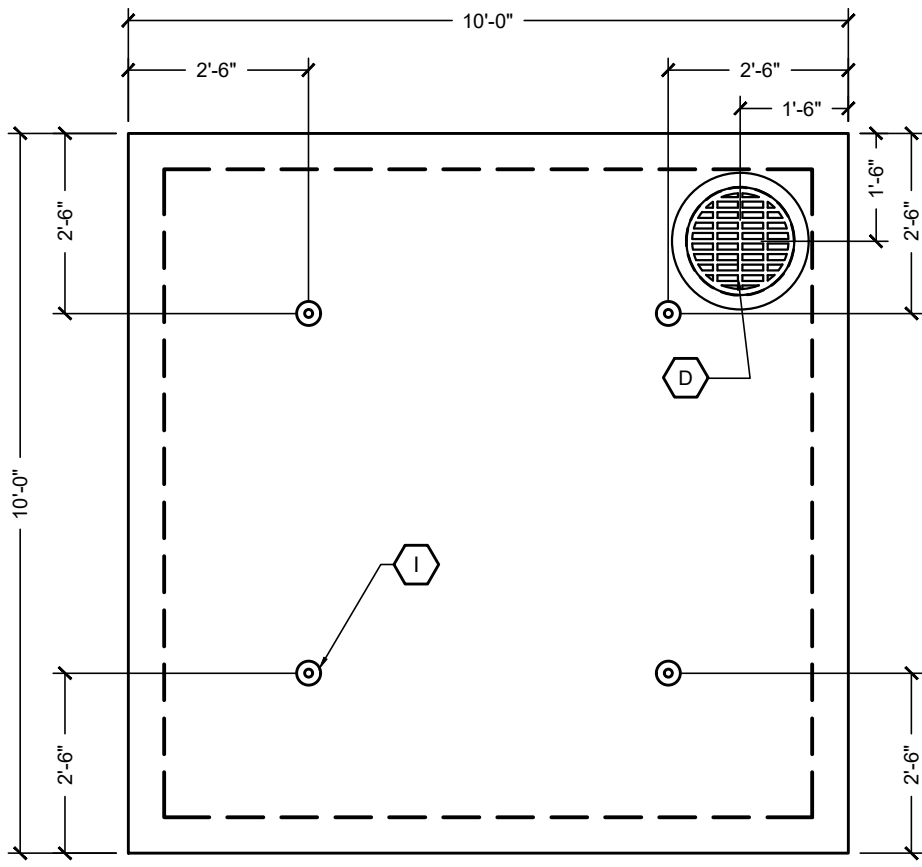
**KNOCKOUT
DETAIL**



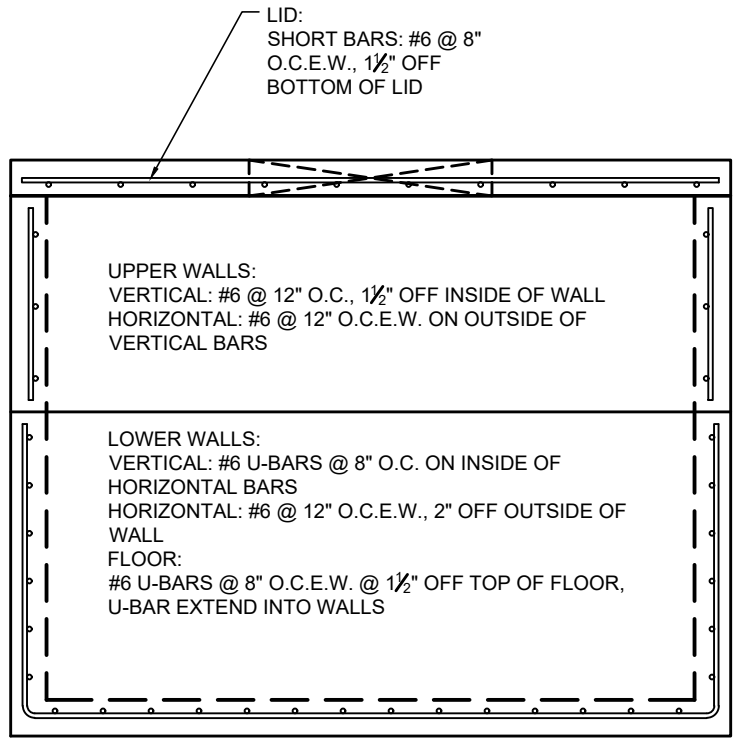
SIDE C

SCALE: 3/8" = 1'-0"

Colorado State University FACILITIES PLANNING, DESIGN AND CONSTRUCTION STANDARDS	DRAWING: E-8B
	ELECTRICAL DIV. 26
DATE: 03/07/2021	
10'x10' VAULT DETAIL	



FLOOR PLAN VIEW



REINFORCEMENT

SCALE: 3/8" = 1'-0"

Colorado State University FACILITIES PLANNING, DESIGN AND CONSTRUCTION STANDARDS	DRAWING: E-8C
	ELECTRICAL DIV. 26

DATE: 03/07/2021

10'x10' VAULT DETAIL