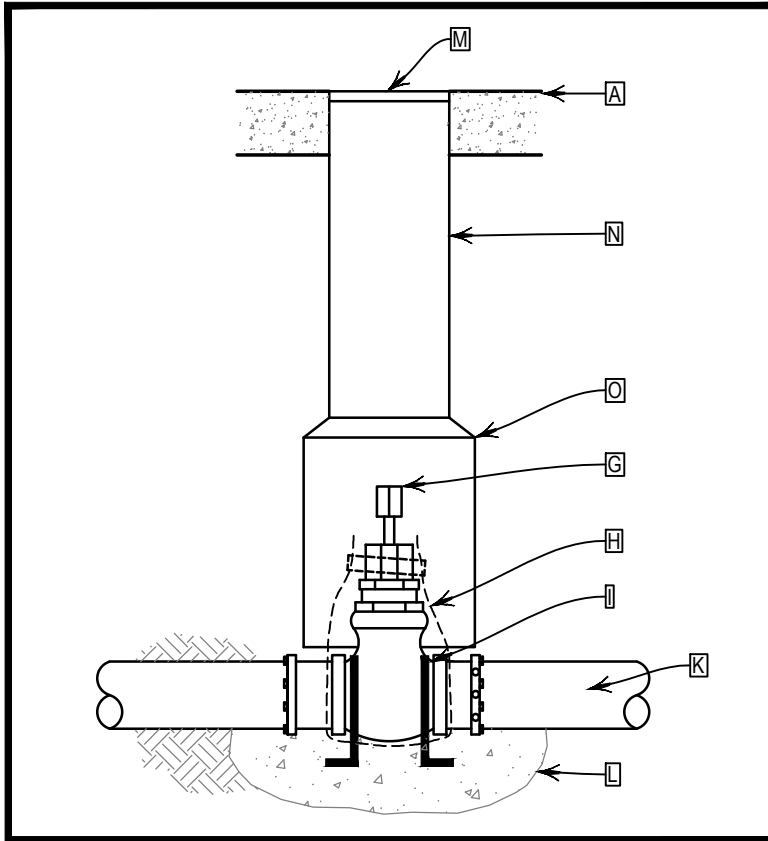
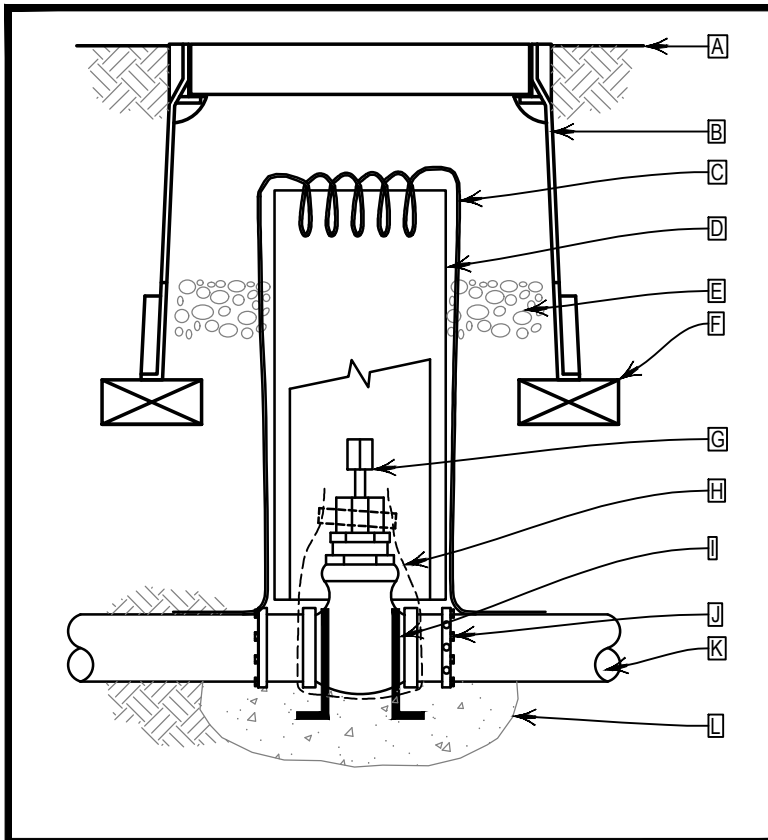


USE THIS DETAIL FOR GATE VALVE
INSTALLED IN HARDSCAPED AREAS



USE THIS DETAIL FOR GATE VALVE
INSTALLED IN SOFTSCAPED AREAS



FLAG NOTES:

- A. FINISHED GRADE/TOP OF MULCH
- B. 10-INCH ROUND VALVE BOX WITH COVER
- C. TRACING WIRE (MUST BE OUTSIDE OF PVC PIPE (D))
- D. 6-INCH CLASS 200 PVC PIPE (LENGTH AS REQUIRED)
- E. 3-INCH MINIMUM DEPTH OF 3/4-INCH WASHED GRAVEL
- F. BRICKS (SEE NOTE 7)
- G. RESILIENT WEDGE GATE VALVE WITH 2-INCH SQUARE OPERATING NUT, SEE NOTES BELOW
- H. 3 MIL. PLASTIC WRAP WITH TAPED ENDS
- I. #4 REBAR, TWO BARS WRAPPED OVER VALVE AND SECURED BY CONCRETE BLOCK
- J. RESTRAINT (1 OF 2) - SEE NOTES BELOW
- K. HDPE MAINLINE PIPE
- L. CONCRETE SUPPORT BLOCK
- M. LOCKABLE CAST IRON COVER
- N. CAST IRON EXTENSION WITH BLACK BITUMINOUS PAINT (LENGTH AS REQUIRED)
- O. CAST IRON VALVE BOX BOTTOM WITH BLACK BITUMINOUS PAINT

GENERAL NOTES:

1. NOMINAL SIZE OF GATE VALVE TO MATCH NOMINAL MAINLINE SIZE.
2. INSTALL A 4-INCH THICK CONCRETE PAD BELOW VALVE.
3. FOR PVC PIPE: USE PUSH ON ENDS (LEEMCO LMV SERIES GATE VALVE, AWWA C515) - RESTRAIN BOTH ENDS WITH JOINT RESTRAINT (LEEMCO LH SERIES). FOR HDPE PIPE USE PUSH ON ENDS (LEEMCO LMV-BBHDSS GATE VALVE, AWWA C515) INCLUDING STAINLESS STEEL PIPE STIFFENERS AND C-CLAMPS.
4. THE OPERATOR IS A 2-INCH SQUARE-WRENCH NUT.
5. ANCHOR ISOLATION VALVE TO CONCRETE BY BENDING REBAR OVER EACH END OF VALVE AND EXTENDING A MINIMUM OF 6-INCHES INTO CONCRETE SUPPORT BLOCK.
6. WRAP VALVE ENDS AND BODY IN 3 MIL. PLASTIC PRIOR TO POURING CONCRETE.
7. PER CSU STANDARDS, INSTALL A MINIMUM OF FOUR (4) BRICKS WITH A MINIMUM 3-INCH DEPTH OF GRAVEL INSTALLED BELOW THE BRICKS.

Colorado State University FACILITIES PLANNING, DESIGN AND CONSTRUCTION STANDARDS	DRAWING: L-12
	DATE: 03/22/2021 EXTERIOR IMP. DIV. 32
ISOLATION GATE VALVE ASSEMBLY (HDPE MAINLINE)	