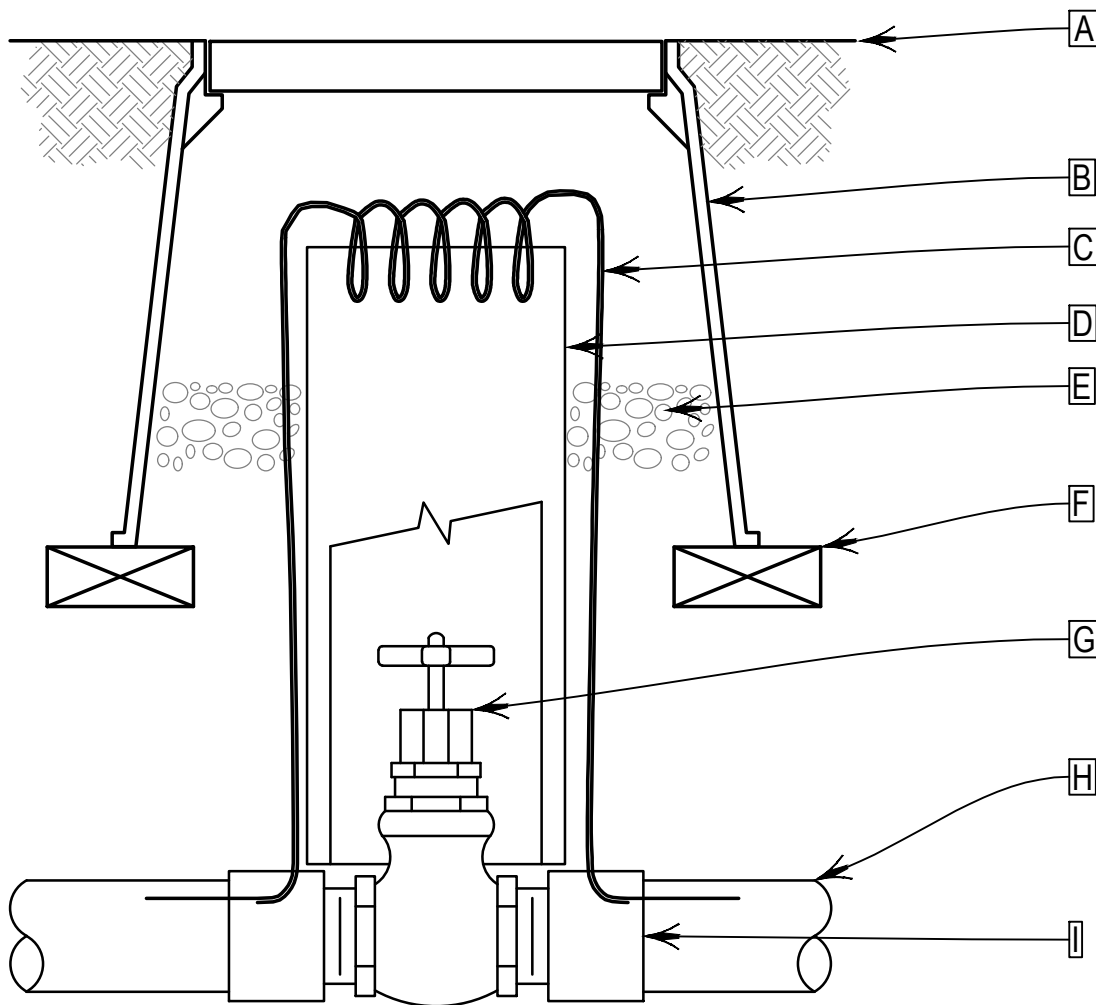


**FLAG NOTES:**

- A. FINISHED GRADE/TOP OF MULCH
- B. 10-INCH ROUND VALVE BOX WITH COVER
- C. TRACING WIRE (MUST BE OUTSIDE OF PVC PIPE (D))
- D. 6-INCH CLASS 200 PVC PIPE (LENGTH AS REQUIRED)
- E. 3-INCH MINIMUM DEPTH OF 3/4-INCH WASHED GRAVEL
- F. BRICKS (SEE NOTE 2)
- G. THREADED BRONZE GATE VALVE WITH SOLID WEDGE, NON-RISING STEM
- H. PVC MAINLINE
- I. SCH. 40 PVC MALE ADAPTER (1 OF 2)



**GENERAL NOTES:**

- 1. NOMINAL SIZE OF GATE VALVE TO MATCH NOMINAL MAINLINE SIZE.
- 2. PER CSU STANDARDS, INSTALL A MINIMUM OF FOUR (4) BRICKS WITH A MINIMUM 3-INCH DEPTH OF GRAVEL INSTALLED BELOW THE BRICKS.

<b>Colorado State University</b> FACILITIES PLANNING, DESIGN AND CONSTRUCTION STANDARDS	DRAWING: <b>L-13</b>
DATE: 03/22/2021	EXTERIOR IMP. DIV. 32
<b>ISOLATION GATE VALVE ASSEMBLY (2.5" AND SMALLER PVC MAINLINE)</b>	