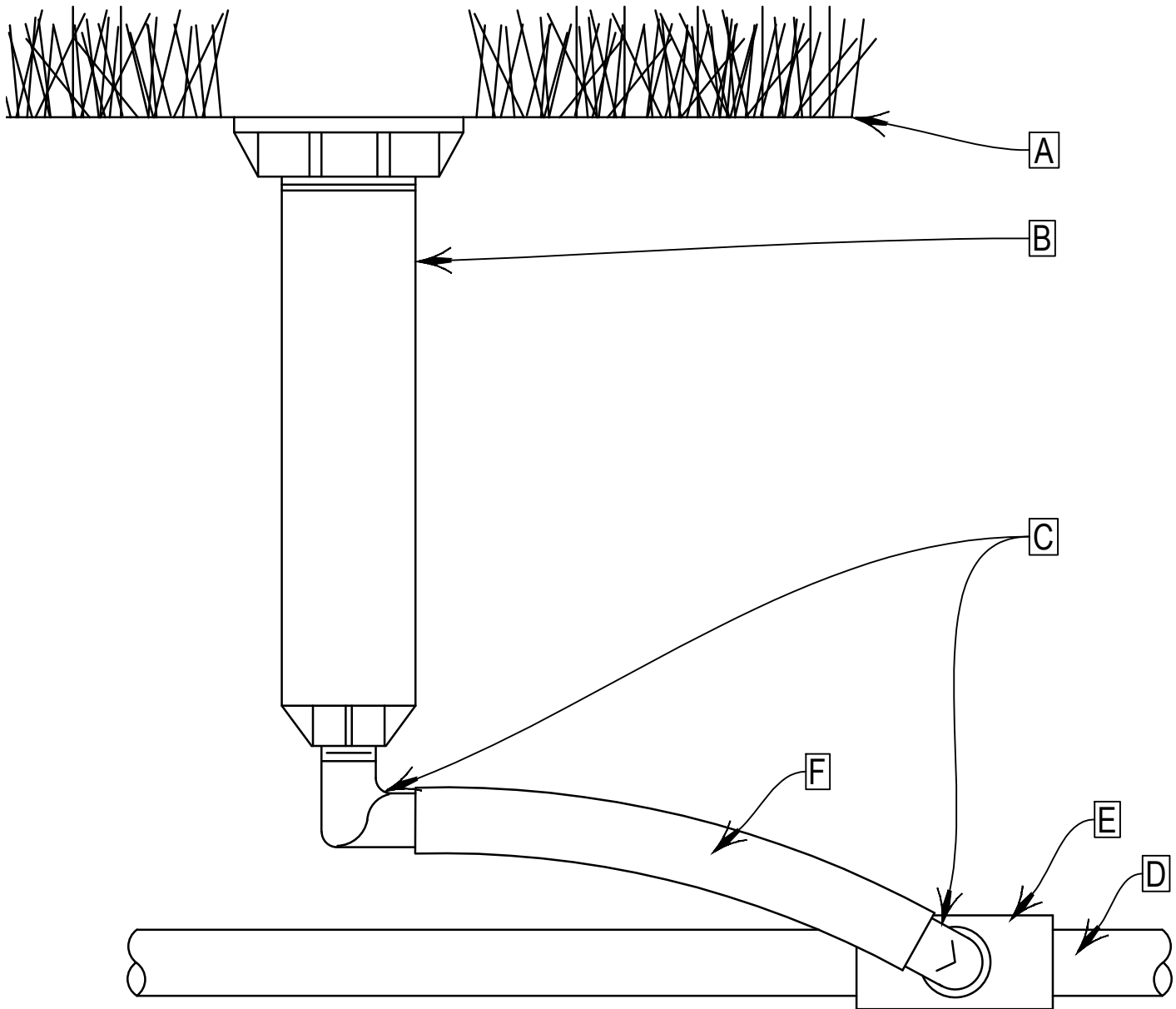


FLAG NOTES:

- A. FINISH GRADE
- B. POP-UP SPRAY SPRINKLER
- C. 1/2-INCH MALE NPT X 0.490-INCH BARB ELBOW
- D. PVC LATERAL PIPE
- E. SCH. 40 PVC TEE OR ELBOW
- F. SWING PIPE



GENERAL NOTES:

1. SWING PIPE TO BE CONNECTED TO THE BOTTOM INLET OF THE SPRINKLER BODY.

Colorado State University FACILITIES PLANNING, DESIGN AND CONSTRUCTION STANDARDS	DRAWING: L-18
DATE: 03/22/2021	EXTERIOR IMP. DIV. 32
POP-UP SPRAY SPRINKLER ASSEMBLY	